

RAFIX 16 pushbutton, illuminated, protruding lens, square collar
1.30.070.051/1002

General information

Form of lens	protruding lens
Colour of lens	transparent colourless
Form of collar	square

Dimensions

Overall height	9.95 mm
Width of collar	25 mm
Diameter of collar	---
Length of collar	25 mm
Mounting depth	44.7 mm
Mounting hole	16.2 mm
Key grid	25 x 25 mm

Mechanical characteristics

Robustness min.	100 N
-----------------	-------

Mechanical design

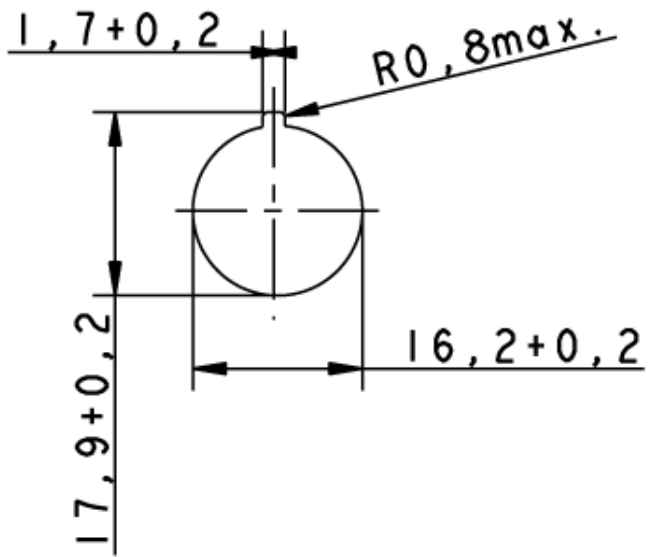
Mounting	ring nut
Illuminability	yes
Contact arrangement	according to contact block
Contact function	according to contact block

Other specifications

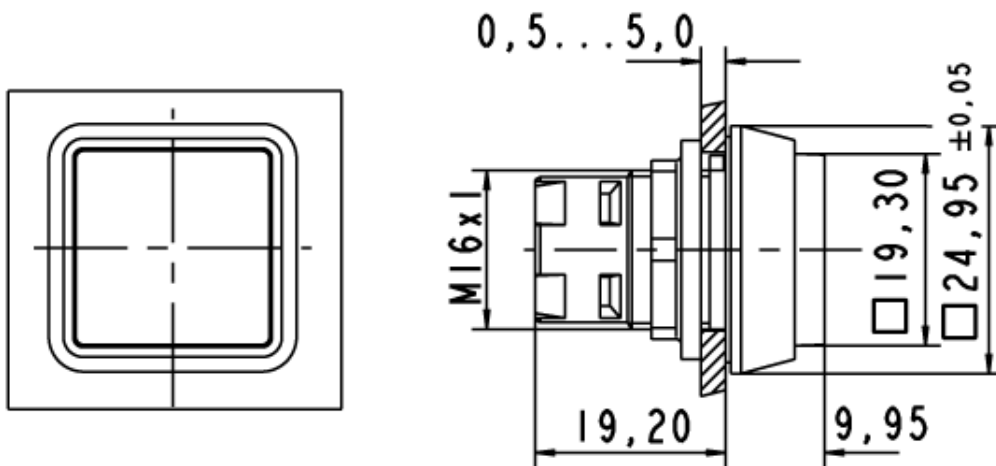
Ambient temp. operating min.	-25 °C
Ambient temp. operating with lamp max.	+55 °C
Ambient temp. operating without lamp max.	+70 °C
Resistance to constant environment	according to IEC 600 68-2-3 and 2-30
Storage temperature max.	+85 °C
Storage temperature min.	-40 °C
Operating life	2000000 momentary/100000 latching
Degree of protection from front side	IP65
Resistance at variable environment	according to IEC 600 68-2-14 and 2-33

21.05.2008

Frontpanel cut-out



MASS



21.05.2008

System drawing 1

