

**RAFIX 16 F emergency stop pushbutton, non-blocking, dupe-proof**
**1.30.094.001/0300**

**General information**

|                    |                       |
|--------------------|-----------------------|
| Actuator           | conical mushroom form |
| Form of collar     | square                |
| Colour of mushroom | red, collar yellow    |

**Dimensions**

|                  |                |
|------------------|----------------|
| Overall height   | 23.5 mm        |
| Width of collar  | 24.9 mm        |
| Length of collar | 24.9 mm        |
| Mounting depth   | 51.7 mm        |
| Mounting hole    | 23.1 x 23.1 mm |
| Key grid         | 25 x 25 mm     |

**Mechanical characteristics**

|                 |       |
|-----------------|-------|
| Robustness min. | 100 N |
|-----------------|-------|

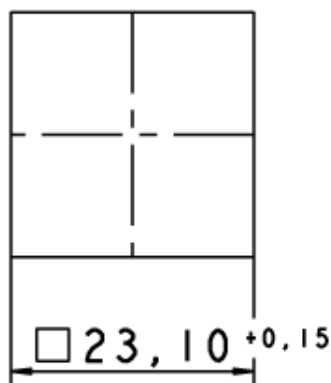
**Mechanical design**

|                  |          |
|------------------|----------|
| Mounting         | ring nut |
| Illuminability   | no       |
| Contact function | latching |

**Other specifications**

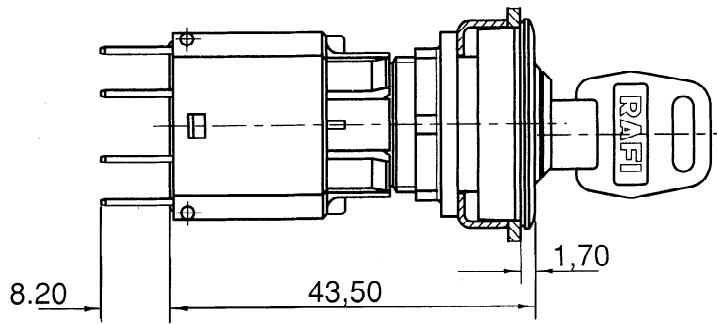
|   |                                       |
|---|---------------------------------------|
| Approvals                                 | IEC 60 947, EN 418                    |
| Ambient temp. operating min.              | -25 °C                                |
| Ambient temp. operating without lamp max. | +70 °C                                |
| Resistance to constant environment        | according to IEC 600 68-2-3 and 2-30  |
| Storage temperature max.                  | +85 °C                                |
| Storage temperature min.                  | -40 °C                                |
| Operating life                            | 10000                                 |
| Degree of protection from front side      | IP65                                  |
| Resistance at variable environment        | according to IEC 600 68-2-14 and 2-33 |

Frontpanel cut-out

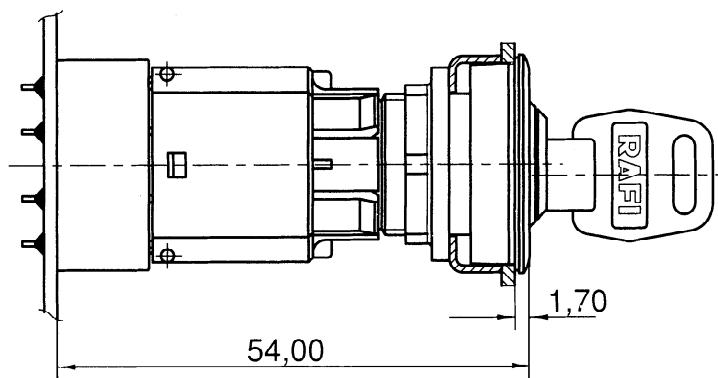


21.05.2008

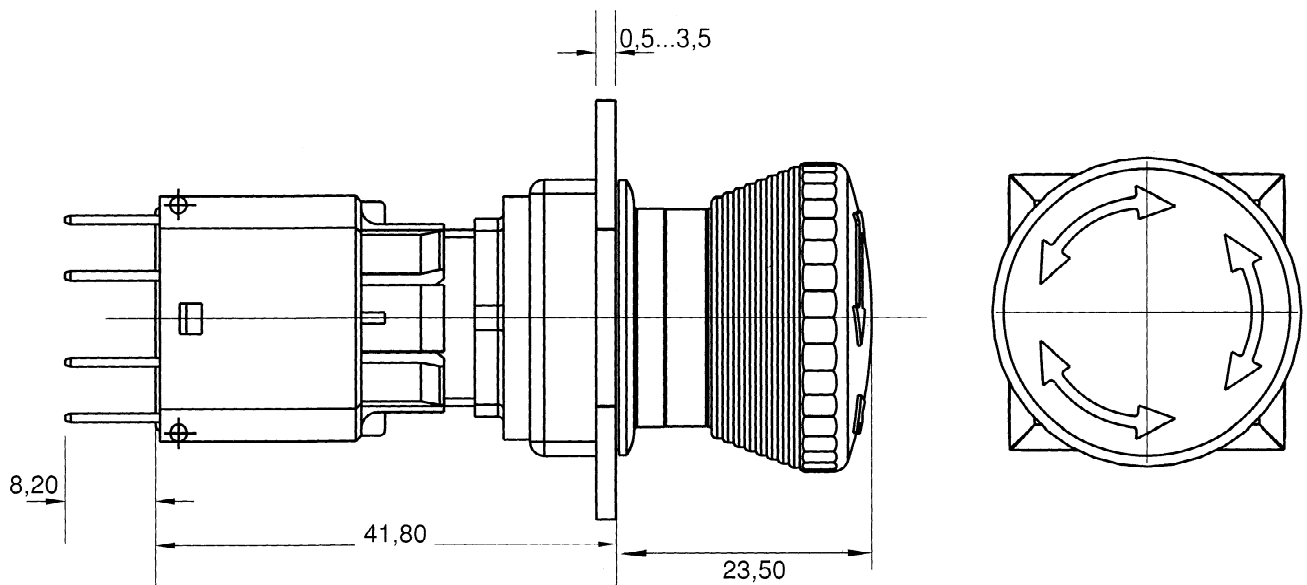
Else



PCB



MASS



21.05.2008

System drawing 1

