

Linear Actuator

1.61.087.XXX

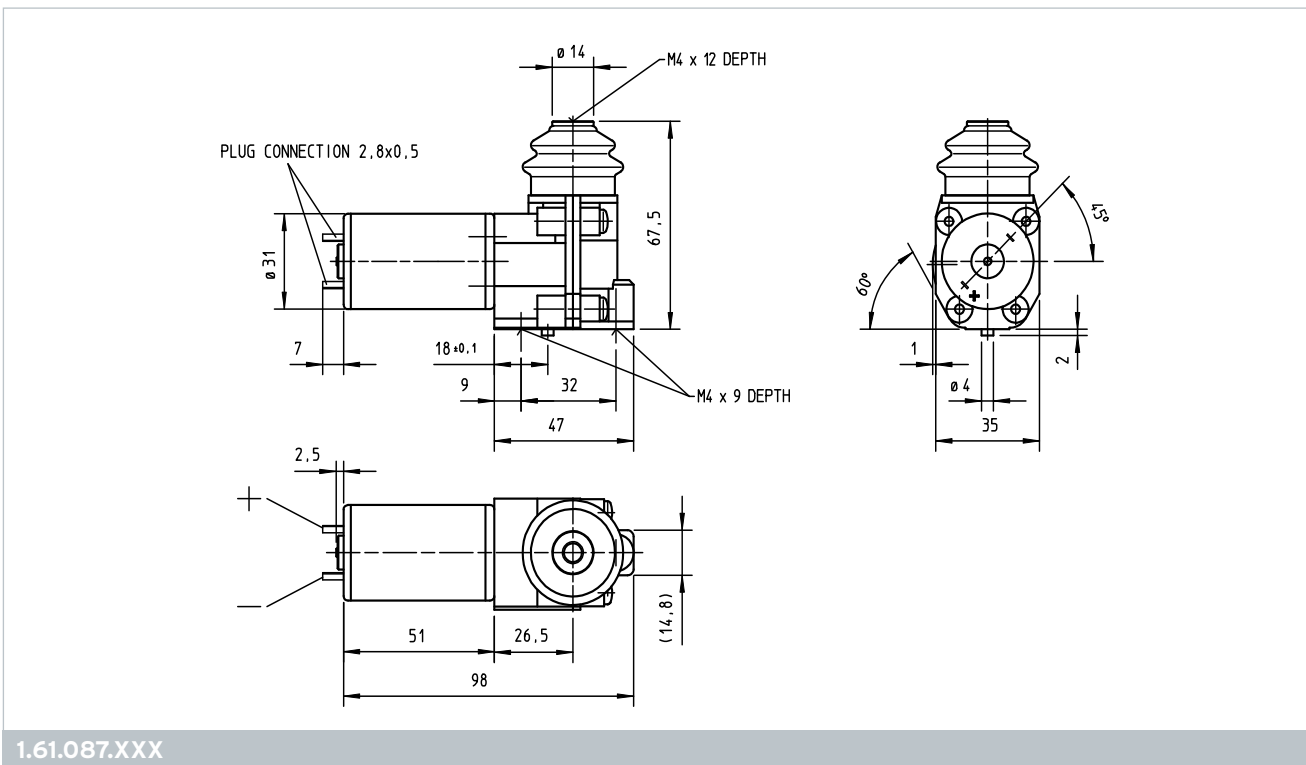
Type 1.61.087.XXX

V =	XXX	Rated current I_N / A	Adjusting force* F_{max} / N	Speed at V_N / mm/s	max. Adjusting range mm	Terminal resistance R_a / Ω
24 V	001	0.300	200	2.5	10	18

Operational conditions			
Temperature range	T	°C	-10 - +70
Humidity at room temperature	rel. F.	%	15 - 55
No condensation		g H ₂ O / m ³	2 - 25
Axial force	F_A	N	200
Radial force, 5 mm from mounting surface	F_R	N	10
Axial play		mm	0.02 - 0.3
Operating mode at T_N			S5

* at 25° C

Design	
Weight	245 g
Gear housing	Plastic
Commutator	Copper / 7-segments
RFI protection	2 chokes
Insulation class	Winding H, otherwise A
Protection class	IP40
Commutation	Graphite/copper-carbon brushes
Armature	sintered, straight slot
Magnet system	Permanent magnets, 2-pole
Motor mounting	2 sintered bronze bearings
Motor housing	Steel, corrosion protected
Motor end shields	brush end plastic drive end zinc die-cast
Spur-worm gear	Metal gears
Axial play output shaft	0.05-0.3 mm



Customized versions

The following modifications are available upon request:

- Encoders