

[Home](#) [Markets](#) [Design Tool](#) [Contact Us](#)

Skic all



# B



## 1427

<b>Type</b>	Switches
<b>Product type</b>	Baer Momentary switch
<b>Typical markets</b>	white goods distribution
<b>Typical applications</b>	refrigerators international catalog distributors
<b>Dimensions</b>	various
<b>Characteristics</b>	single pole faston snap-in mounting or centre-fixing
<b>Rating</b>	250 VAC, 0.2 [0.2] A 1E5 250 VAC, 0.25 A
<b>Actuators</b>	plunger
<b>Approvals/Quality</b>	ENEC cUL



### For Product Inquiries

#### Downloads

[Printer friendly version](#)

[ROHS\\_1427](#)

[Catalog](#)

For further technical information, please contact our sales representative in your region.

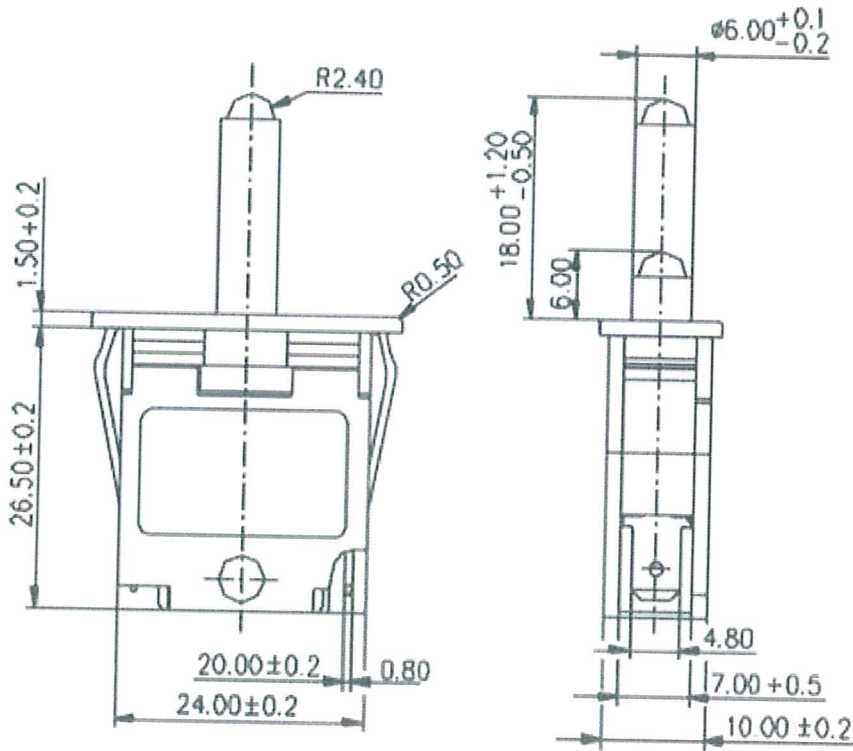
#### Distribution

B2B @ catalog distribution

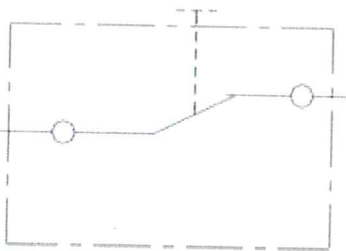
Your sales & distribution support

Stock availability check

**Dimensions**



**Circuits**



**Performance**

**Preferred range**

Partnumber	Terminal	Actuator	Electrical rating @ ENEC
<u>1427-839.02 1551</u>	faston 4.8 x 0.8 mm	plunger 18 +1.2 +0.5 mm	250 VAC 0.2 [0.2] A, 1E5 A 2!



[Terms of Use](#) [Privacy](#) [Feedback](#) [JE Website](#)