

[Home](#) [Markets](#) [Design Tool](#) [Contact Us](#)

Skic all



B



1430

Type	Switches
Product type	Baer Momentary switch
Typical markets	white goods distribution
Typical applications	refrigerators local catalog distributors
Dimensions	various
Characteristics	single pole faston snap-in mounting
Rating	250 VAC, 0.2 [0.2] A 5E4
Actuators	lever
Approvals/Quality	ENEC



For Product Inquiries

Downloads

[Printer friendly version](#)

[ROHS_1430](#)

[Catalog](#)

For further technical information, please contact our sales representative in your region.

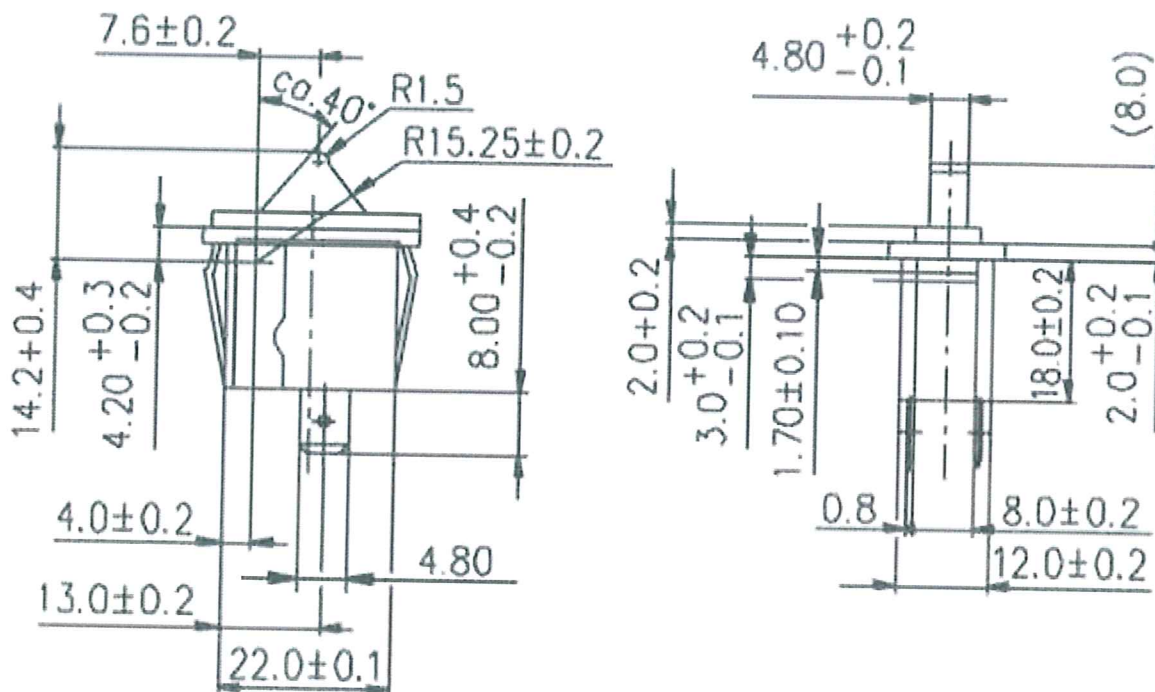
Distribution

[Your sales & distribution support](#)

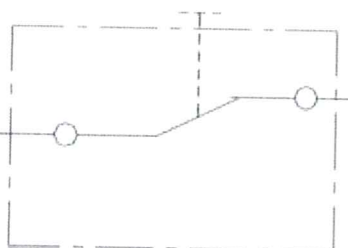
[Stock availability check](#)

Dimensions

switching angle 30°



Circuits



Performance

Preferred range

Partnumber	Terminal	Actuator	Electrical rating @ ENEC
<u>1430-045.01 1551</u>	faston 4.8 x 0.8 mm	lever	250 VAC 0.2 [0.2] A, 5E4 A



[Terms of Use](#) [Privacy](#) [Feedback](#) [JE Website](#)