

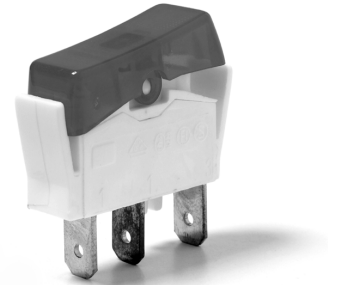
# 3670

## Manually operated Switches

Rocker

### 3670

Characteristics	<ul style="list-style-type: none"> <li>■ single pole</li> <li>■ on/off</li> <li>■ illuminated/non-illum.</li> <li>■ snap-in mounting</li> <li>■ quick connect</li> <li>■ optional with momentary function</li> <li>■ temp. 100/55°</li> </ul>
Rating	250 VAC, 6 (2) A 250 VAC, 10 (2) A
Dimensions (mm)	Various
Actuator	Rockers in different shapes/colours
Approvals	ENEC, cUL, CSA



### Preferred Range Switch

Ordering Reference	Illumination	Mounting	Rocker	Lens	Approvals ENEC	cUL
3670-201.01 1542	With	Snap-in	Black	Red	250 VAC 6 (2) A	
3670-202.01 1542	With	Snap-in	Red transparency		250 VAC 6 (2) A	
3670-001.01 1555	Without	Frameless	See below, not mounted		250 VAC 6 (2) A	
3670-017.01 1551	Without	Frameless	See below, not mounted		250 VAC 10 (2) A	
3670-010.01 1551	Without	Frameless	See below, not mounted			125 VAC 12 A
3670-004.01 1552	With	Frameless	See below, not mounted		250 VAC 6 (2) A	
3670-013.01 1552	With	Frameless	See below, not mounted		250 VAC 10 (2) A	

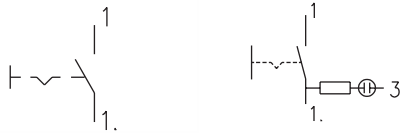
### Preferred Range Rocker

Ordering Reference	Size (mm)	Colour	Form	Lens
136-305.0000	14 × 19.8	White		
136-304.0000	14 × 19.8	Red transparency		
136-301.0000	∅ 20	White	Round	
136-332.0000	∅ 20	Black	Round	
136-326.0000	∅ 20	Black	Round	Red
136-342.0000		Black	Elliptical	Red
136-320.0000	9.7 × 20	Red transparency		

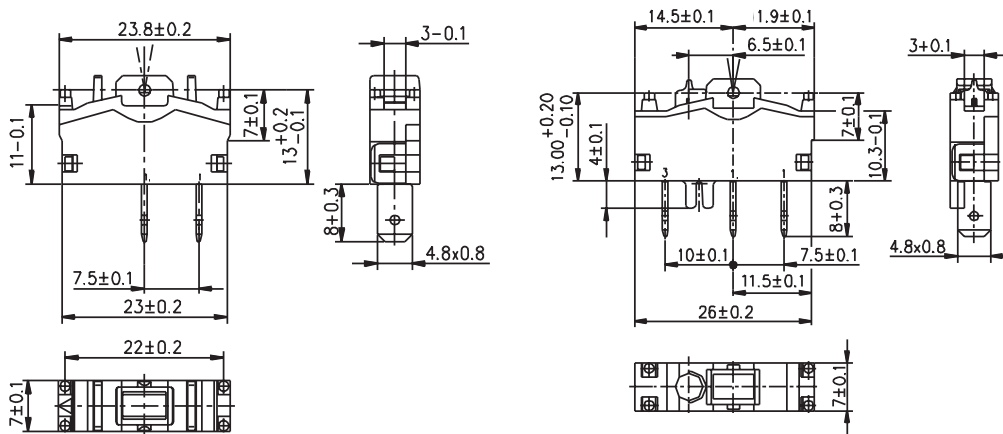
### Specifications

Base	PBT
Rocker	PC
Mechanism	Single pole
Functions	ON/OFF
Contacts	Ag/Ni
Protection	IP00
Mounting	Snap-in mounting or customised
Tracking Resistance	PTI 250
Glow-wire	850°C
Switch angle	20°
Contact gap	> 3 mm

Circuit diagram    circuit diagram    circuit diagram

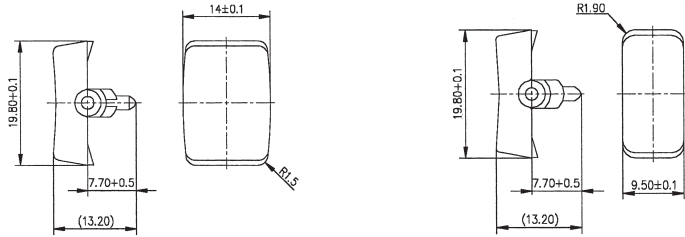


Dimensions

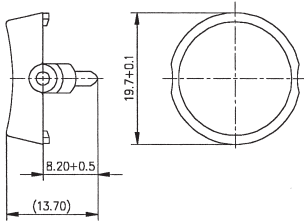


### Operating Characteristics

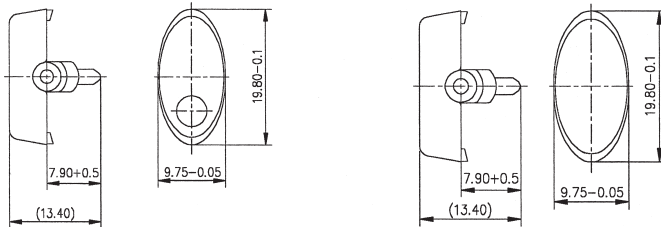
Rocker



Rocker



Rocker



### Ordering Reference

Type	3670		
Illumination	With	Without	
Terminals	4.8 × 0.8 mm		
Mounting	Snap-in	Customised	
Rocker	White	Black	Red tr.
Lens	Red		
Housing	White		
Approvals	ENEC cUL	250 VAC, 6 (2) A 125 VAC, 12 A	250 V, 10 (2) A

### Standard range switches

Ordering Reference	Illumination	Contacts (mm)	Mounting	Rocker	Lens	Rating ENEC	cUL
3670-602.01 1541	None	4.8	Snap-in	Black		250 VAC 6 (2) A	
3670-600.01 1541	None	4.8	Snap-in	Black			125 VAC 12 A
3670-500.01 1542	With	4.8	Snap-in	Black	Red		125 VAC 12 A
3670-006.01 1552	With	4.8	Frameless	See below, not mounted			125 VAC 12 A
3670-007.01 1552	With	4.8 / 90°	Frameless	See below, not mounted		250 VAC 6 (2) A	

### Standard range rockers

Ordering Reference	Size (mm)	Colour	Shape	Lens
136-314.0000	14 × 19.8	Black		
136-325.0000	∅ 20	White	Round	Red
136-340.0000	∅ 20	Black	Round	Yellow
136-347.0000		White	Elliptical	
136-346.0000		Black	Elliptical	
136-372.0000		Red transparency	Elliptical	
136-341.0000		White	Elliptical	Red
136-312.0000	9.7 × 20 mm	White		
136-311.0000	9.7 × 20 mm	Black		