

3672

Manually operated Switches

Rocker

3672

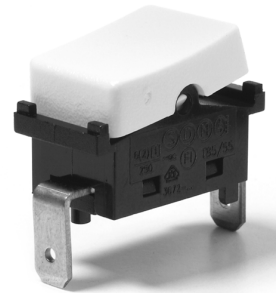
- Characteristics
- single pole
 - on/off
 - illuminated/non-illum.
 - snap-in mounting
 - solder terminals
 - PCB terminals
 - quick connect
 - momentary function
 - temp. 85/55°

Rating 250 VAC, 6 (2) A
125 VAC, 7.5 A

Dimensions (mm) Various

Actuator Rockers in different shapes/colours

Approvals ENEC, UL, CSA



Preferred Range Switch

Ordering Reference	Illumination	Terminals	Shape of housing	Approvals (ENEC)
3672-722.01 1541	None	Faston 4,8 mm, bent 90°	Small	250 VAC 6 (2) A
3672-727.01 1341	None	Solder, bent 90°	Small	250 VAC 6 (2) A
3672-311.01 1541	None	Faston 4,8 mm, bent 90°	Large	250 VAC 6 (2) A
3672-515.01 1542	With	Faston 4,8 mm, bent 45°	Large	250 VAC 6 (2) A

Preferred Range Rocker

Ordering Reference	Size (mm)	Colour	Form	Lens
111-342.0000	∅ 16	Black	Round	
111-337.0000	∅ 16	White	Round	Yellow
111-355.0000	∅ 20	White	Round	
111-327.0000	∅ 20	Black	Round	Red
111-439.0000	14 × 19,8	White	Square	
111-024.0167	∅ 16	Black	Adaptor	
111-026.0167	∅ 20	Black	Adaptor	

Specifications

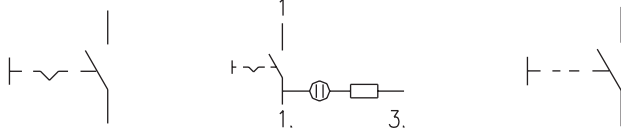
Base	PC
Rocker	PC
Mechanism	Single pole
Functions	ON/OFF
Contacts	Ag/Ni
Terminals	Tab 4,8 / 6,3 mm. solder. PCB
Temperature range °C	85/55
Mechanical life	10.000 ENEC, 6.000 UL
Protection	IP00
Mounting	Snap-in mounting or customised
Tracking Resistance	PTI 250
Glow-wire	850°C
Switch angle	20°
Contact gap	> 3 mm

Circuit diagram

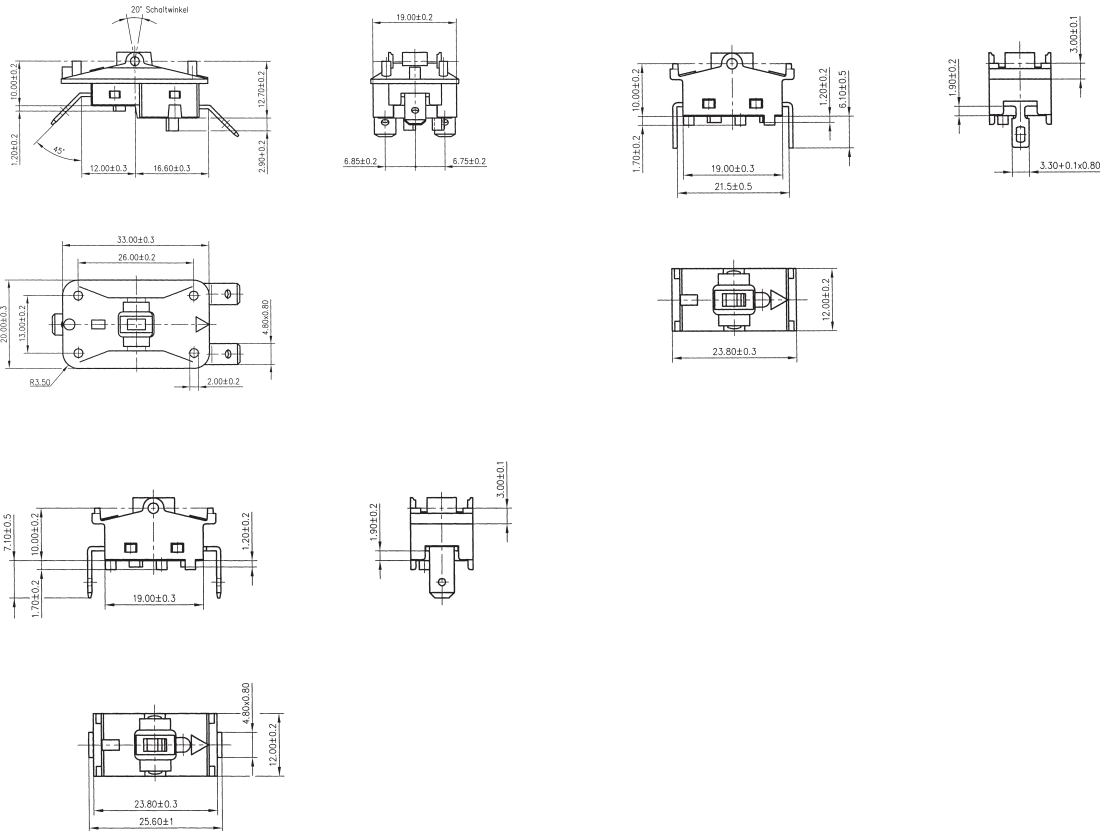
circuit diagram

circuit diagram

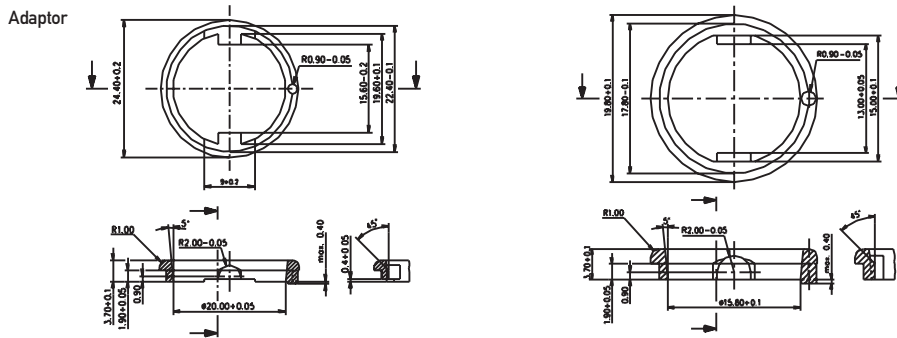
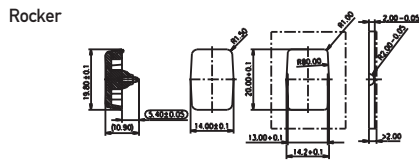
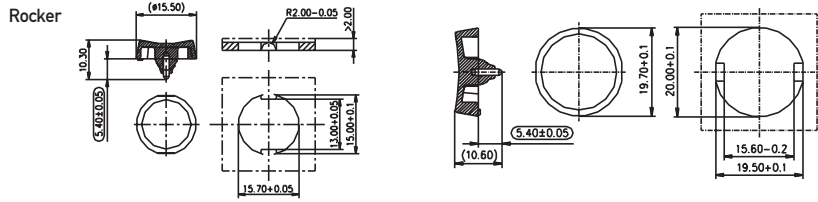
circuit diagram



Dimensions



Operating Characteristics



Ordering Reference

Type	3672			
Illumination	With	Without		
Terminals	4.8 × 0.8 mm	6.3 × 0.8 mm	Solder	PCB
Mounting	Snap-in	Customised		
Rocker	White	Black	Red tr.	
Lens	Red	Yellow		
Housing	Black	Transparent		
Approvals	ENEC UL	250 VAC, 6 (2) A 125 VAC, 7.5 A		

Standard range switches

Ordering Reference	Illumination	Terminals	Shape of housing	Approvals ENEC	UL
3672-720.01 1341	Without	Solder	Small	250 VAC 6 (2) A	
3672-729.01 1541	Without	Faston 4,8 mm, bent 45°	Small	250 VAC 6 (2) A	
3672-703.01 1641	Without	Faston 6,3 mm, bent 90°	Small	250 VAC 6 (2) A	
3672-900.01 1541	Without	Faston 4,8 mm, bent 45°	Small		125 VAC 7,5 A
3672-903.01 1541	Without	Faston 4,8 mm, bent 90°	Small		125 VAC 7,5 AL
3672-511.01 1542	With	Faston 4,8 mm, bent 90°	Large	250 VAC 6 (2) A	
3672-513.01 1642	With	Faston 6,3 mm, bent 90°	Large	250 VAC 6 (2) A	
3672-839.03 1642	With	Faston 6,3 mm, bent 90°	Large		125 VAC 7,5 A

Standard range rockers

Ordering Reference	Size (mm)	Colour	Shape	Lens
111-340.0000	∅ 16	White	Round	
111-702.0000	∅ 16	Red transparency	Round	
111-369.0000	∅ 20	Black		
111-323.0000	∅ 20	White	Round	Red
111-440.0000	14 × 19,8	Black	Square	
111-024.0150	∅ 16	White	Adaptor	
111-024.0198	∅ 16	Red transparency	Adaptor	
111-026.0150	∅ 20	Black	Adaptor	
111-026.0198	∅ 20	Red transparency	Adaptor	