

3680

Manually operated Switches

Rocker

3680

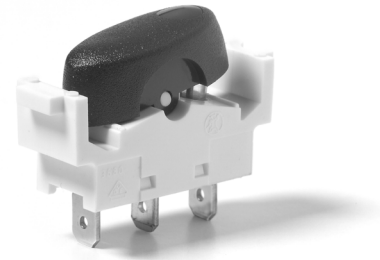
- Characteristics
- single pole
 - on/off
 - illuminated/non-illum.
 - snap-in mounting
 - quick connect
 - optional with momentary function
 - temp. 85/55°

Rating 250 VAC, 6 (2) A
125 VAC, 7.5 A

Dimensions (mm) Various

Actuator Rockers in different shapes/colours

Approvals ENEC, UL, CSA



Preferred Range Switch

Ordering Reference	Illumination	Terminals	Mounting	Rocker	Lens	Housing	Approval ENEC	UL
3680-012.01 1651	None	Faston 6,3 mm	Snap-in	Black		Black	250 VAC 6 (3) A	
3680-561.01 1552	With	Faston 4,8 mm	Snap-in	Black	Red	Black	250 VAC 6 (3) A	
3680-805.01 1552	With	Faston 4,8 mm	Snap-in	Black	Red	Black		125 VAC 7,5 A
3680-031.01 1541	None	Faston 4,8 mm	Customised	See below, not mounted		White	250 VAC 6 (3) A	
3680-401.01 1542	With	Faston 4,8 mm	Customised	See below, not mounted		White	250 VAC 6 (3) A	
3680-402.01 1642	With	Faston 6,3 mm	Customised	See below, not mounted		White	250 VAC 6 (3) A	
3680-408.01 1642	With	Faston 6,3 mm	Customised	See below, not mounted		White		125 VAC 7,5 A

Preferred Range Rocker

Ordering Reference	Size (mm)	Colour	Form	Lens
131-350.0000	9,2 × 25	Black	Square	
131-321.0000	10,5 × 25	Red transparency	Square	
131-455.0000		Black	Elliptical	Red
131-465.0000		Red transparency	Elliptical	

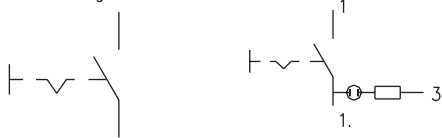
Specifications

Base	PA
Rocker	PC
Mechanism	Single pole
Functions	ON/OFF
Contacts	Ag/Ni
Terminals	Tab terminals 4.8 mm / 6.3 mm
Temperature range °C	85/55
Mechanical life	10.000 ENEC / 6.000 UL CSA
Protection	IP00
Mounting	Snap-in mounting or customised
Tracking Resistance	PTI 250
Glow-wire	850°C
Switch angle	13°
Contact gap	3 mm

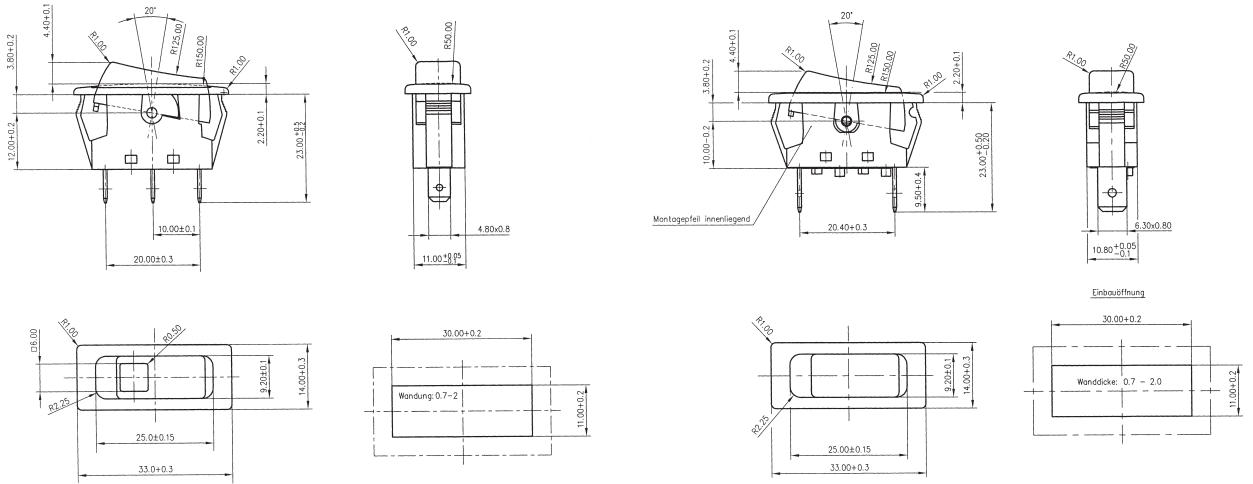
Circuit diagram

circuit diagram

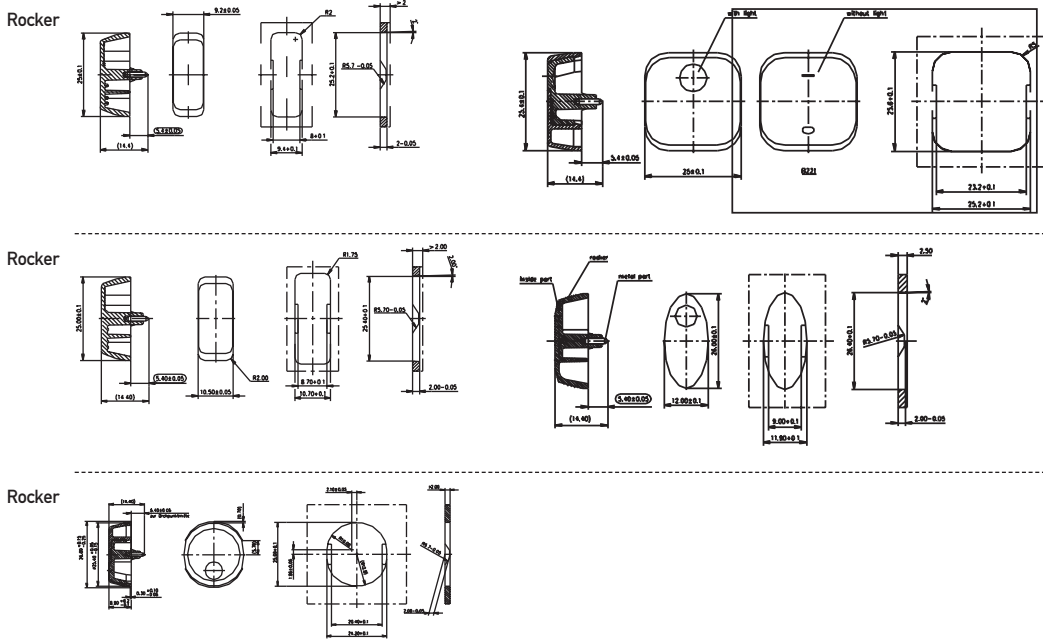
circuit diagram



Dimensions



Operating Characteristics



Ordering Reference

Type	3680	
Illumination	With	Without
Terminals	4,8 × 0,8 mm	6,3 × 0,8 mm
Mounting	Snap-in	Customised
Rocker	White	Black Red tr.
Lens	Red	
Housing	White	Black
Approvals	ENEC	250 VAC, 6 (2) A
	UL/CSA	125 VAC, 7,5 A

Standard range switch

Ordering Reference	Illumination	Terminals	Mounting	Rocker	Lens	Housing	Approval ENEC	UL
3680-002.01 1651	Without	Faston 6,3 mm	Snap-in	White		White	250 VAC 6 (2) A	
3680-502.01 1652	With	Faston 6,3 mm	Snap-in	White	Red	White	250 VAC 6 (2) A	
3680-506.01 1652	With	Faston 6,3 mm	Snap-in	Red transparency		White	250 VAC 6 (2) A	
3680-807.01 1552	With	Faston 4,8 mm	Snap-in	White	Red	White		125 VAC 7,5 A
3680-032.01 1641	Without	Faston 6,3 mm	Customised	See below, not mounted		White	250 VAC 6 (2) A	
3680-033.01 1541	Without	Faston 4,8 mm	Customised	See below, not mounted		White		125 VAC 7,5 A
3680-407.01 1542	With	Faston 4,8 mm	Customised	See below, not mounted		White		125 VAC 7,5 A

Standard range rocker

Ordering Reference	Size (mm)	Colour	Shape	Lens
131-349.0000	9,2 × 25	White	Square	
131-306.0000	9,2 × 25	White	Square	Red
131-352.0000	10,5 × 25	Red transparency	Square	
131-329.0000	10,5 × 25	White	Square	
131-330.0000	10,5 × 25	Black	Square	
131-326.0000	25	White	Square	
131-343.0000	25	Black	Square	
131-327.0000	25	White	Square	Red
131-454.0000		White	Elliptical	Red
131-354.0000	∅ 25,4	White	Round	Red
131-471.0000	∅ 25	Black	Round	Red