

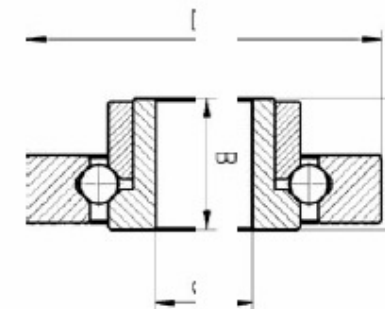
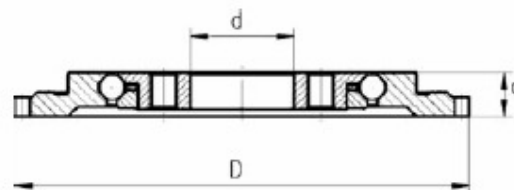
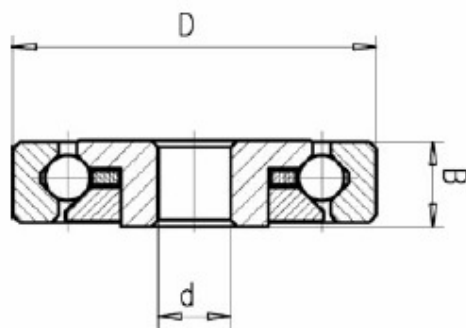
## microsphere® - miniature precision bearings

### Four-point contact bearings

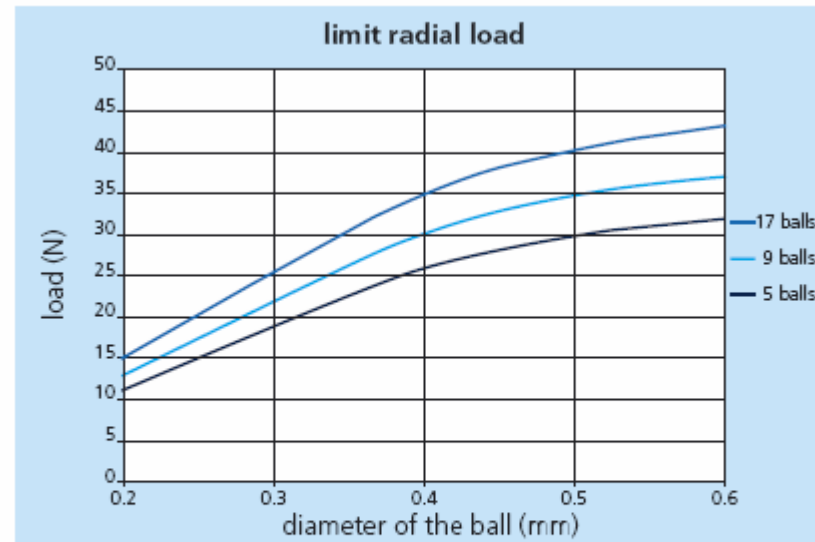
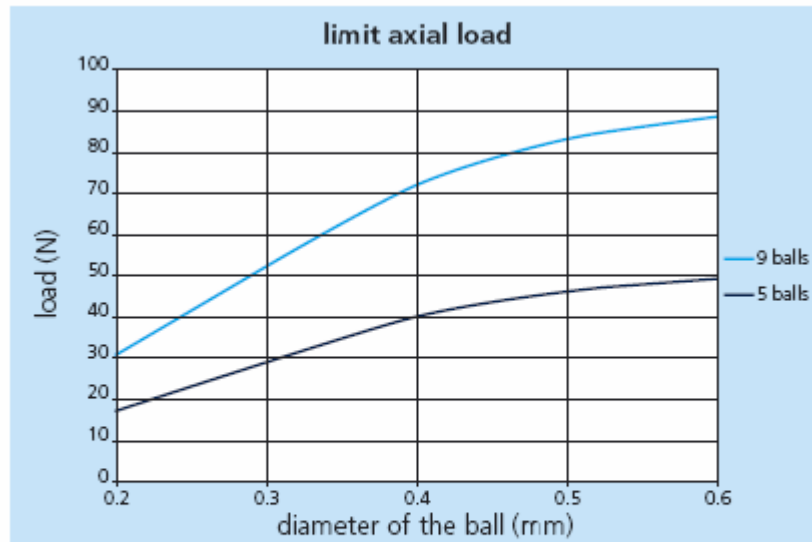
For watch industry, micromotors, medical technology



Reference	Shaft bearing for micromotors			Bearing for oscillating mass			Biocompatible bearing	
	20/112	30/130	40/210	30/230	50/410	50/530	60/259	60/326
d [mm]	0.32	0.60	1.00	1.00	0.50	2.10	1.00	1.50
D [mm]	1.60	2.40	3.00	3.78	5.76	9.24	4.00	5.50
B [mm]	0.40	0.82	1.00	0.95	0.76	0.90	1.20	2.00
Ball Ø [mm]	0.20	0.30	0.40	0.30	0.50	0.50	0.60	0.60
Axial Play [µm]	6/14	6/14	6/14	6/14	6/14	6/14	6/14	6/14
Tilt angle [°]	<1.6	<1.3	<0.8	<0.7	<0.14	<0.3	<0.65	<0.50



## microsphere® - miniature precision bearings



These tables are valid for steel ring only.  
 Specific calculations are available at our engineering department.  
 Please contact : [watch@mpsag.com](mailto:watch@mpsag.com)

