

4022

Manually operated Switches

Rotary

4022

- Characteristics
- Single pole with ON/OFF function
 - Single pole with step function
 - Double pole with ON/OFF function
 - Double pole with step function
 - Solder terminals
 - PCB terminals
 - Quick connect
 - Customised mounting
 - T 100°
 - With additional spring to keep the switch in ON position



Rating 250 VAC, 12 (2) A 125 VAC, 10 A

Dimensions (mm) 30 × 14 × 15.3

Actuator Integral shaft Square access hole 3.25 mm²

Approvals ENEC, UL, CSA

Preferred Range

Ordering Reference	Terminals	Mounting	Switching	Actuator	Operation angle
4022-823.01 2849	PCB	Customised	On-off	Hole	60°
4022-001.01 9349	Solder	Customised	0-I-II	Shaft	30°

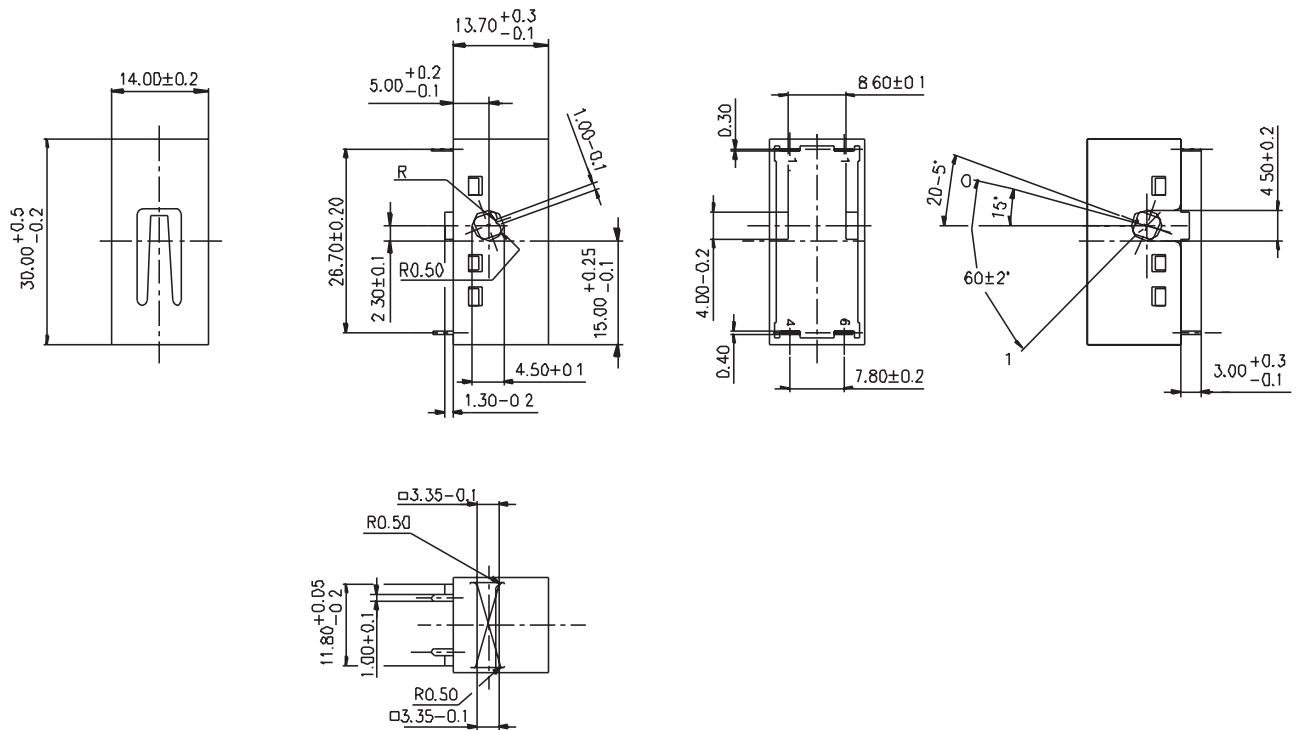
Specifications

Base and cover	PA
Cam	PBT
Mechanism	Single pole with ON/OFF or step function Double pole with ON/OFF function
Functions	ON/OFF
Contacts	Ag/Ni
Protection	IP 00
Mounting	Customised mounting
Tracking Resistance	PTI 250
Glow-wire	850°C
Contact	Gap >3 mm
Switch angle	30° / 45° / 60°

Circuit diagram

Contacts		Switch position
1.-4	1-6	_____
○	○	0
●	○	1
●	●	2

Dimensions



4022

Ordering Reference

Type	4022
Illumination	None
Terminals	Solder PCB Tab terminals 4,8 × 0.8 mm
Mounting	Customised
Shaft	White
Housing	White
Approvals	ENEC UL/CSA

Standard range switches

Ordering Reference	Terminals	Switching	Actuator	Operation angle
4022-042.01 1349	Solder	On-off	Hole	30°
4022-501.01 9549	Faston 4,8 mm	I-II	Hole	60°
4022-011.01 9849	PCB	0-I-II	Shaft	30°
4022-032.01 2849	PCB	On-off	Hole	30°
4022-811.01 9349	Solder	0-I-II	Shaft	30°
4022-812.01 9849	PCB	0-I-II	Hole	30°
4022-827.01 9849	PCB	M-0-I-II	Shaft	30°