

SERIES 49-59T:



ACTUAL SIZE



PANEL SEALED PUSHBUTTON SWITCHES WITH SERIES 16 & 26 SNAP SWITCHES

These rugged panel sealed pushbuttons employ the workhorse basic switches for high (or low) current applications. Connections are made with solder terminals at the rear of the switch. The pushbuttons are available with square or round bezels. These switches are ideal for harsh environments.

KEY FEATURES:

- Panel sealed to IP67
- Momentary action
- Solder terminals
- Flame retardant UL rated material
- Life (min.) – 1,000,000 cycles
- Available with Series 16 or 26 switch
- Rated up to 10 amps

APPLICATIONS

- Environmentally demanding keypads
- Mass transport controls
- Communications
- Instrumentation
- Data processing
- Military environments

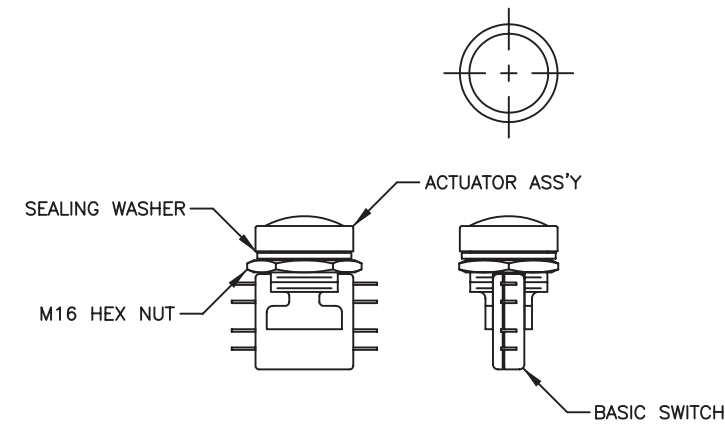
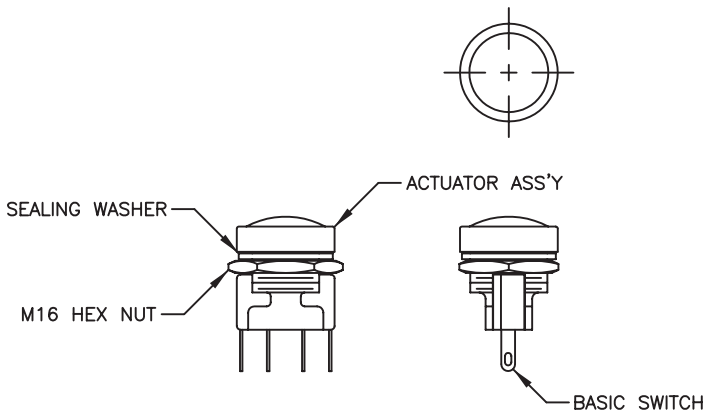
ORDERING INFORMATION:

Part Number	Button Style	Button Color	Circuit	Contact Material
49-5911 / 530004	Round	Black	SPDT-DB	Silver
49-5912 / 530004	Round	Red	SPDT-DB	Silver
49-5913 / 530004	Round	Green	SPDT-DB	Silver
49-5911 / 810	Round	Black	DPDT-DB	Enhanced Gold
49-5912 / 810	Round	Red	DPDT-DB	Enhanced Gold
49-5913 / 810	Round	Green	DPDT-DB	Enhanced Gold

STANDARDS / AGENCY / RATINGS:



49-591x / 530004



Current rating: 26-810

Load	Sea Level				70,000 Ft.	
	28 VDC DPDT	28 VDC 4 CKT	115 VAC 60 HZ DPDT	115 VAC 60 HZ 4 CKT	28 VDC DPDT	28 VDC 4 CKT
Resistive	8 amp	8 amp	6 amp	4 amp	8 amp	8 amp
Inductive	6 amp	4 amp	4 amp	4 amp	2 amp	1 amp
Lamp	0.5 amp	0.5 amp	2 amp	1 amp	—	—

INSTALLATION:

The actuator assembly is installed from the front of the panel and locked down with the hex nut using a 20mm spanner. To attain the correct sealing, the nut should be tightened to a recommended torque of between 1.106 pound/foot (1.5 Nm) not exceeding 1.475 pound/foot (2 Nm). The basic switch can then be snapped into place from the back of the panel. Panel Thickness (Max): .118 (3.0).

MECHANICAL / ELECTRICAL CHARACTERISTICS:

Travel (nom):

0.09 inches / 2.3 mm

Operating force (nom):

387g–561g (3.8N–5.5N)

Dielectric strength:

1,000 VAC for 1 minute

Insulation resistance:

1G Ohm @ 500 VDC

Contact resistance initial:

25 milliohms max.

Electrical:

Life:50,000 cycles

@ 158°F (70°C)

Current rating 16-530004:

Form X or Y: 10 amps 125 VAC;

10 amps 28 VDC IND.

Form Z: 5 amps 125/250 VAC;

3 amps 28 VDC IND.

Current rating 26-810:

See chart on left

Operating temperature:

-67°F to +221°F

(-55°C to +105°C)

Body/Button material:

PBT

Contacts 16-530004:

silver

Contacts 26-810

enhanced gold