

# 4BR

## Enclosed Terminal Microswitches

Standard

### 4BR

Characteristics	<ul style="list-style-type: none"> <li>■ Choice of IP54 or IP67 sealed versions</li> <li>■ Precise movements and exceptional repeat accuracy</li> <li>■ Robust metal housing</li> </ul>
Rating	Up to 250 VAC, 15 A
Dimensions (mm)	53,1 × 20,6 × 29,2
Actuator	Plunger
Approvals	UL, CSA



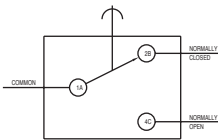
### Preferred Range

Ordering Reference	Actuating Force		Sealing	Operating pos.		Terminal	Circuit	Actuator	Contacts	Electrical rating
	(N)	(ozf)		(mm)	(in)					
4BR	7.2	26.00	IP54	39.3	1.550	Screw	CO	Plunger	Silver	Up to 250 VAC, 15 A
4BR510	7.2	26.00	IP67	39.3	1.550	Screw	CO	Plunger	Silver	Up to 250 VAC, 15 A

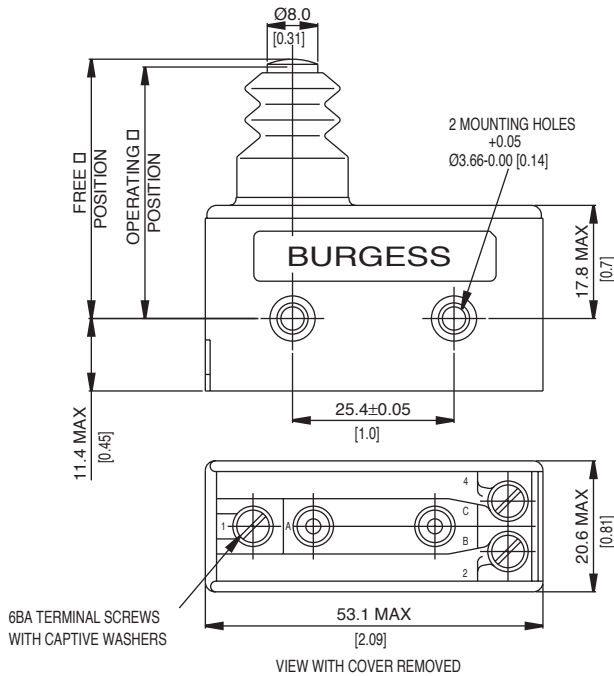
### Specifications

Housing	Zinc based alloy
Base Plate	Phenolic
Plunger	Stainless steel
Cowl	Silicon rubber
Mechanism	Single pole change-over
Contacts	Silver
Terminals	Removable screw terminals, insulated cover plate
Temperature	-10°C to +85°C
Mechanical life	10 <sup>6</sup> cycles minimum (impact free actuation)
Protection	4BR/510 IP67 except terminals / 4BR IP54
Mounting	Side mounting

Circuit diagram



Dimensions



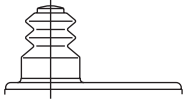
### Recommended maximum electrical ratings

Voltage (max)	Resistive load (A)	Inductive load	Horsepower	Approval
250 VAC	15 (0.75 pf)	5	-	CSA 22.2 No. 55 - 6,000 operations
125 VAC	10 (0.75 pf)	-	-	CSA 22.2 No. 55 - 6,000 operations
250 VAC	-	-	¼ HP (0.45 pf)	CSA 22.2 No. 55 - 6,000 operations
125 VAC	-	-	¼ HP (0.45 pf)	CSA 22.2 No. 55 - 6,000 operations
0 - 15 VDC	10	-	-	General rating - 50,000 operations
15 - 30 VDC	5	-	-	General rating - 50,000 operations

# 4BR

## Operating Characteristics

Actuator	Reference	Actuating Force Maximum		Release Force Minimum		Free Position Maximum		Operating Position		Movement Differential Maximum		Over travel	
		(N)	(ozf)	(N)	(ozf)	(mm)	(in)	(mm)	(in)	(mm)	(in)	(mm)	(in)
Plunger	4BR	7,2	26,00	1,7	6	40,8	1,6	39,3 ± 0,4	1,55 ± 0,016	0,08	0,003	4,6	0,18
	4BR/510	7,2	26,00	1,7	6	40,8	1,6	39,3 ± 0,4	1,55 ± 0,016	0,08	0,003	4,6	0,18



## Ordering Reference

Type	4BR	
Environmental sealing	No digit 510	Mechanism sealed to IP54 Mechanism sealed to IP67