

SERIES 57:



ACTUAL SIZE



MINIATURE VANDAL RESISTANT SEALED PUSHBUTTON SWITCHES

This rugged miniature, momentary action, sealed switch series is ideal for a variety of applications in harsh environments where durability is key. It is panel sealed to IP67 and designed to be impact resistant.

KEY FEATURES:

- Panel sealed to IP67
- Momentary action
- Impact resistant
- Non-spark material
- Lighted and non-lighted versions
- Wide temperature range: -40°C to +125°C
- Gold Plated Palladium Nickel contacts

APPLICATIONS

- Military/Aerospace
- Process controls
- Security access controls
- Medical instrumentation
- Computers
- Transportation: mass transit, marine, lift trucks, personal and recreational vehicles, rail

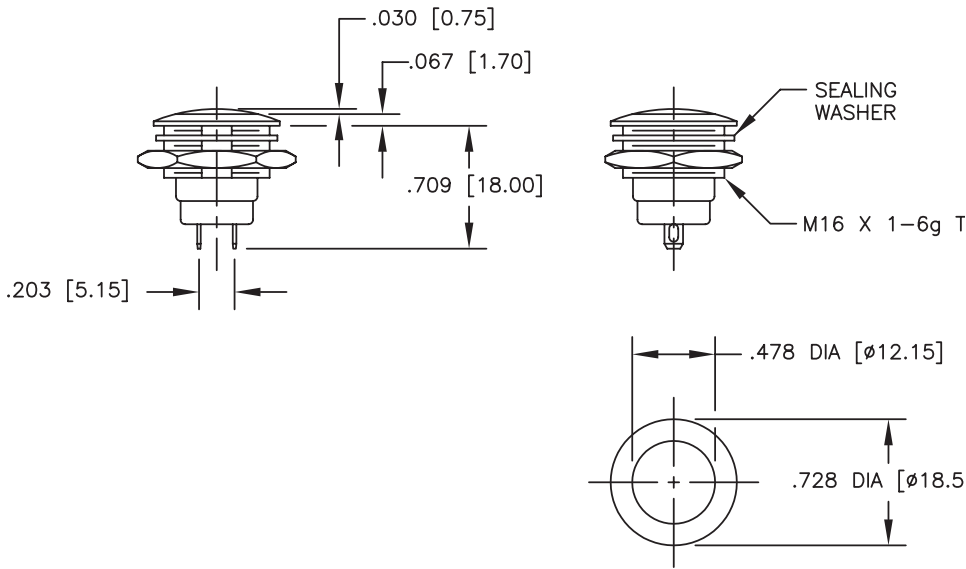
ORDERING INFORMATION:

Part Number	Lighted	LED Color
57-111	No	—
57-112B	Yes	Blue
57-112G	Yes	Green
57-112R	Yes	Red

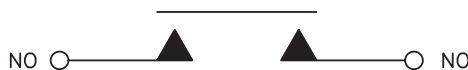
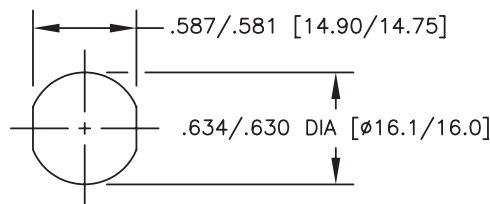
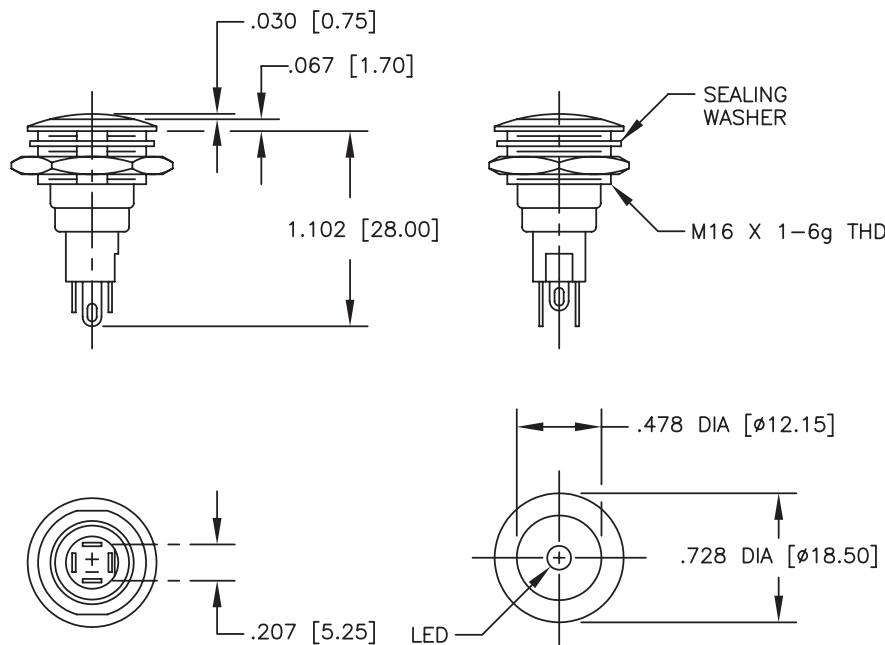
STANDARDS / AGENCY / RATINGS:



NON-LIGHTED



LIGHTED



MECHANICAL / ELECTRICAL CHARACTERISTICS:

Travel (nom):

0.09 inches / 2.3 mm

Life (nominal):

1,000,000 cycles (mechanical)
500,000 cycles (electrical)

Operating force (nom):

3N / 306 grams

Contact bounce (nom):

1 millisecond

Panel thickness (max):

0.118 inches / 3.0 mm

Contact resistance initial:

50 milliohms (Max)

Current Rating (typical):

400mA at 32 VAC resistive
100mA at 50 VDC resistive
125mA at 125 VAC resistive

Switching power (max):

16VA AC

Shock:

100g

Body and button material:

Velour chrome plated
zinc alloy

Terminals:

gold plated brass

Soldering information:

608°F (320°C) max for 3s