

BTA[®] Size 6EVM

Part Numbers: Clockwise Rotation 195931-0XX
Counter-Clockwise Rotation 195940-0XX

All catalogue products manufactured after April 1, 2006 are RoHS Compliant

Performance

| | 100% | 50% | 25% | 10% | | |
|---|--------------------|----------------------|-----------|-----------|-----------|-----------|
| Maximum Duty Cycle | 100% | 50% | 25% | 10% | | |
| Maximum ON Time (sec) | ∞ | 40 | 15 | 5 | | |
| when pulsed continuously ¹ | | | | | | |
| Maximum ON Time (sec) | ∞ | 143 | 47 | 11 | | |
| for single pulse ² | | | | | | |
| Typical Energise Time (msec) ³ | 48 | 21 | 15 | 11 | | |
| Watts (@ 20°C) | 32 | 64 | 128 | 320 | | |
| Ampere Turns (@ 20°C) | 980 | 1386 | 1960 | 3100 | | |
| Coil Data | | | | | | |
| avg (0XX) ⁴ | Resistance (@20°C) | # Turns ⁵ | VDC (Nom) | VDC (Nom) | VDC (Nom) | VDC (Nom) |
| 23 | 2.65 | 267 | 9.2 | 13.0 | 18.4 | 29.1 |
| 24 | 5.02 | 396 | 12.7 | 17.9 | 25.4 | 40.1 |
| 25 | 7.03 | 444 | 15.0 | 21.2 | 30.0 | 47.4 |
| 26 | 12.60 | 625 | 20.1 | 28.4 | 40.2 | 63.5 |
| 27 | 17.60 | 700 | 23.8 | 33.6 | 47.5 | 75.1 |
| 28 | 29.90 | 936 | 30.9 | 43.7 | 61.9 | 97.8 |
| 29 | 49.50 | 1225 | 39.8 | 56.0 | 80.0 | 126.0 |
| 30 | 79.70 | 1560 | 51.0 | 71.0 | 101.0 | 160.0 |
| 31 | 126.50 | 1962 | 64.0 | 90.0 | 127.0 | 201.0 |
| 32 | 198.30 | 2440 | 80.0 | 113.0 | 159.0 | 252.0 |
| 33 | 306.20 | 2992 | 99.0 | 140.0 | 198.0 | 313.0 |

Specifications

| | |
|-------------------------------|--|
| Dielectric Strength | 1,000 VRMS (23 awg); 1200 VRMS (24-33 awg) |
| Recommended Minimum Heat Sink | Maximum watts dissipated by solenoid are based on an unrestricted flow of air at 20°C, with solenoid mounted on the equivalent of an aluminium plate measuring 314 mm square by 3.2 mm thick |
| Thermal Resistance | 3.58 (°C/watt) |
| Rotor Inertia | 67.15 (gm-cm ²) |
| Weight | 709 gms |
| Dimensions | See page C10 |

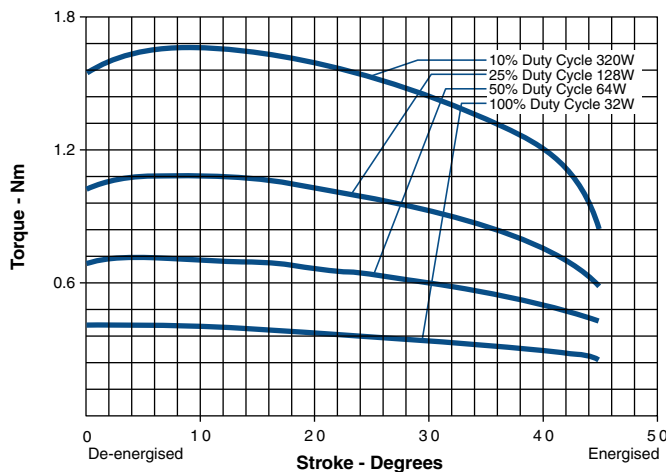
How to Order

Add the coil awg number (0XX) to the part number (for example: to order a 25% duty cycle clockwise rotation unit rated at 25.4 VDC, specify 195931-024).

Please see www.ledex.com (click on Stock Products tab) for our list of stock products available through our distributors.

- Continuously pulsed at stated watts and duty cycle
- Single pulse at stated watts (with coil at ambient room temperature 20°C)
- Typical energise time based on a 99 mNm torque load including 1.4×10^{-6} kgm² of inertia
- Other coil awg sizes available — please consult factory
- Reference number of turns

Size 6EVM — Typical Torque @ 20°C



Notes:

Torque curves shown are without spring.

Typical standard spring has a torque of 56.5 mNm.

Torque values are for reference only.

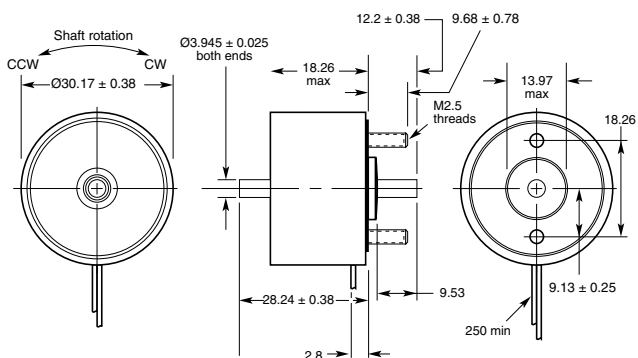
All specifications subject to change without notice.

BTA[®] Dimensions

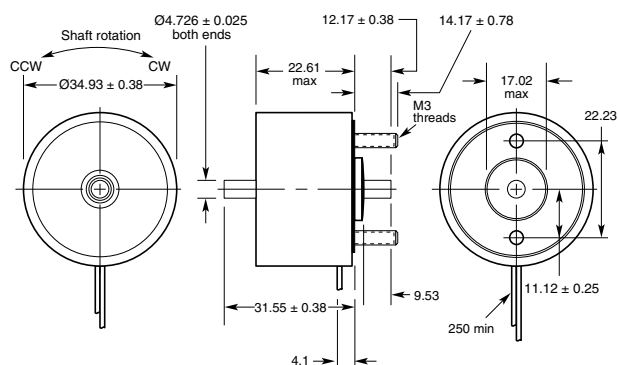
inches (mm)

ROTARY BTA[®]

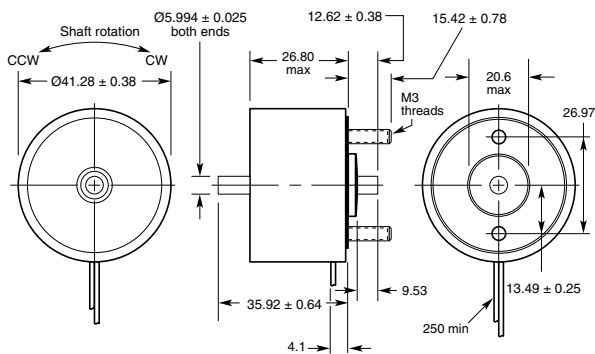
Size 2EVM



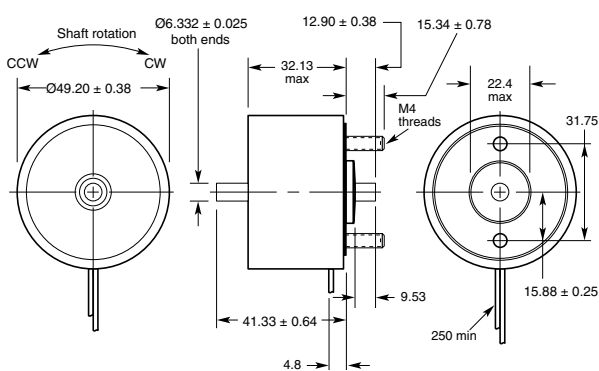
Size 3EVM



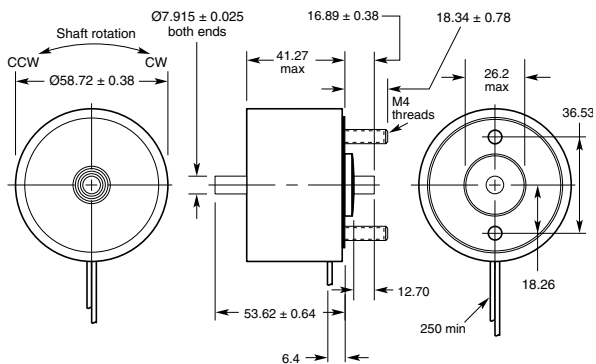
Size 4EVM



Size 5EVM



Size 6EVM



All specifications subject to change without notice.