

Ledex® Box Frame Size B14M — DC Operation

Part Number: B14M - **XXX** - B- 1

All catalogue products manufactured after April 1, 2006 are RoHS Compliant

Select from performance chart below

Specifications

Continuous Duty Cycle	100% at 20°C ambient temperature
Intermittent Duty Cycle	See below
Holding Force	15.6 N at 20°C
Coil Insulation	Class " B": 130°C max.
Coil Termination	250 mm PVC lead wires
Plunger Weight	12 g
Total Weight	90 g
Dimensions	See page H30

- Well-suited for battery operation.



See the "Battery Operated Solenoids" section for complete information.

Performance

Maximum Duty Cycle	100%	50%	25%	10%
Maximum ON Time (sec) when pulsed continuously	∞	100	36	7
Maximum ON Time (sec) for single pulse	∞	480	180	45
Watts (@ 20°C)	5.2	10.4	20.8	52.2
Ampere Turns (@ 20°C)	750	1060	1500	2370

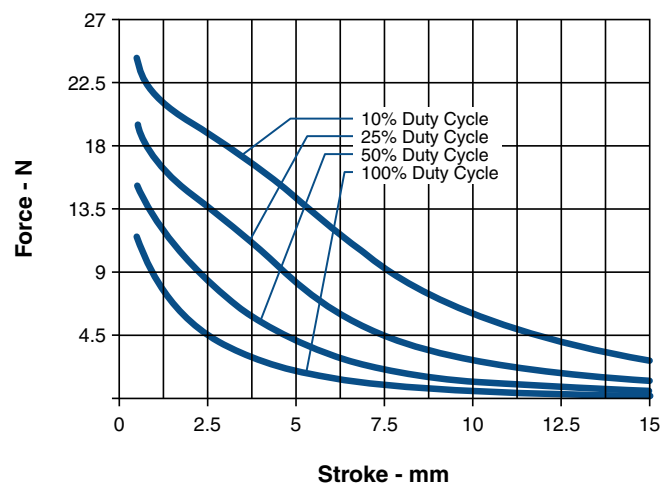
Coil Data

Part Number	Resistance (@20°C)	Ref # Turns	VDC (Nom)	VDC (Nom)	VDC (Nom)	VDC (Nom)
B14M-255-B-1	6.9	871	6	8.5	12	19
B14M-254-B-1	28.6	1791	12	17	24	38
B14M-253-B-1	110	3450	24	34	48	76

NOTES:

- All data is typical.
- Force testing is done with the solenoid in the horizontal position.
- All data reflects operation with no heatsink.
- Other coil terminations available.
- All specifications subject to change without notice.

Typical Force @ 20°C



How to Order

Select the part number from the table provided. (For example, to order a 25% duty cycle unit rated at 48 VDC, specify B14M-253-B-1.

Please see www.ledex.com (click on Stock Products tab) for our list of stock products available through our distributors.

Force values for reference only.

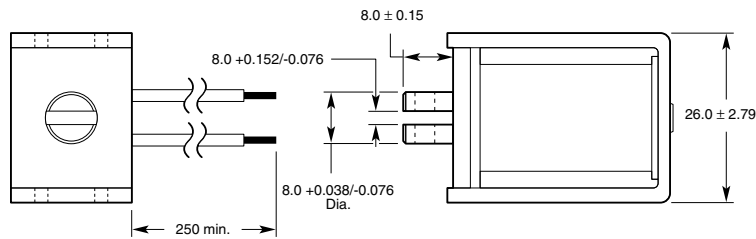
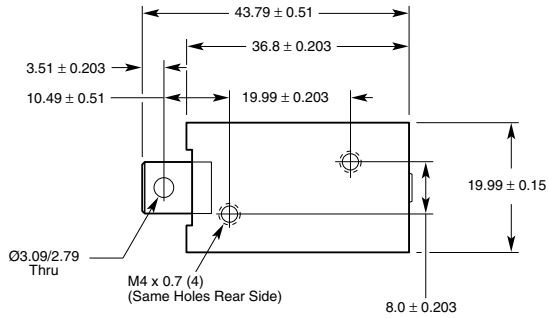
All specifications subject to change without notice.

Ledex® Box Frame Dimensions

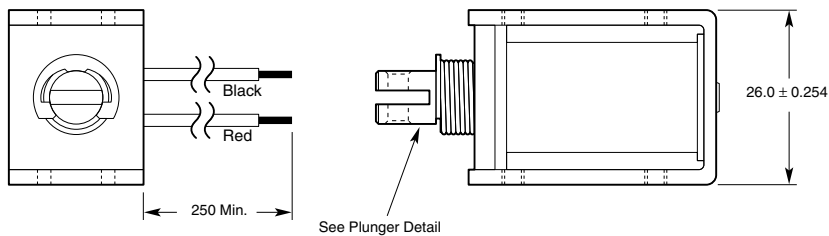
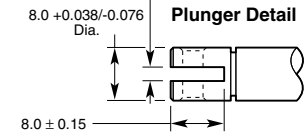
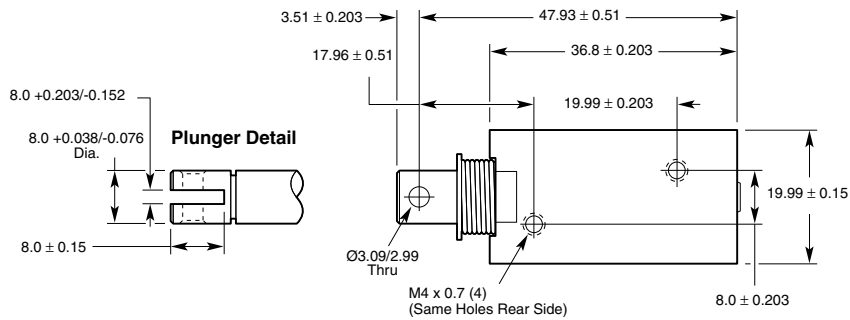
mm

All solenoids are illustrated in energised state

B14M



B14M-L



All specifications subject to change without notice.