

Ledex® Magnetic Latching C Frame Size C5M-L

Part Number: C5M - L - **XXX** - B - 1

All catalogue products manufactured after April 1, 2006 are RoHS Compliant

Select from performance chart below

Specifications

Operation	Pull
Dielectric Strength	500 VRMS for one second
Unlatch Voltage	See schematic and coil data below
Magnet Hold Force*	5.7 N (with return spring)
Coil Insulation	Class "B": 130°C max. temperature standard. Other temperature classes are available
Coil Termination	0.025 inch square pin terminals
Plunger Pole Face	Flat face with return spring (other options available upon request)
Spring Force	0.1 N/mm; 0.7 N latched position
Plunger Weight	2.8 g
Total Weight	11.9 g
Dimensions	See page I 14

*In no power, latched position.

Performance

Maximum Duty Cycle	Unlatch Voltage			
	50%	25%	10%	
Maximum ON Time (sec)	∞	145	47	14
Watts (@ 20°C)	3	6	12	30
Ampere Turns (@ 20°C)	422	564	844	1268

Coil Data

Part Number	Resistance (@20°C)	Ref # Turns	VDC (Nom)	VDC (Nom)	VDC (Nom)	VDC (Nom)
C5M-L-273-B-1	2.88	406	3	4	6	9
C5M-L-272-B-1	11.52	795	6	8	12	19
C5M-L-271-B-1	25.77	1222	9	12	18	28
C5M-L-270-B-1	48.65	1642	12	17	24	38
C5M-L-269-B-1	72.84	1968	15	21	30	47
C5M-L-268-B-1	152.20	2860	21	30	43	68
C5M-L-267-B-1	191.73	3202	24	34	48	76

NOTES:

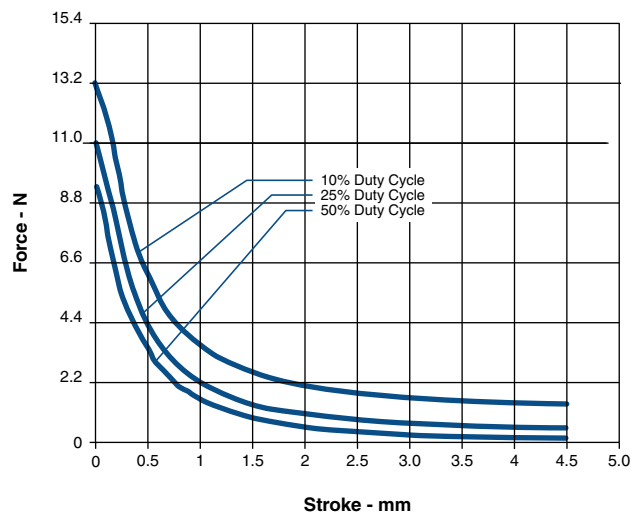
- All data is typical.
- Force testing is done with the solenoid in the horizontal position.
- All data reflects operation with no heatsink.
- Other coil terminations available.
- All specifications subject to change without notice.

- Well-suited for battery operation.



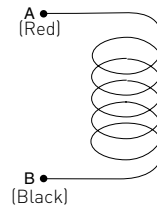
See the "Battery Operated Solenoids" section for complete information.

Force (Net, With Spring)



Coil Polarity

Latch: A+ B-
Unlatch: A- B+



How to Order

Select the part number from the table provided. (For example, to order a 25% duty cycle unit rated at 48 VDC, specify C5M-L-267-B-1.

Please see www.ledex.com (click on Stock Products tab) for our list of stock products available through our distributors.

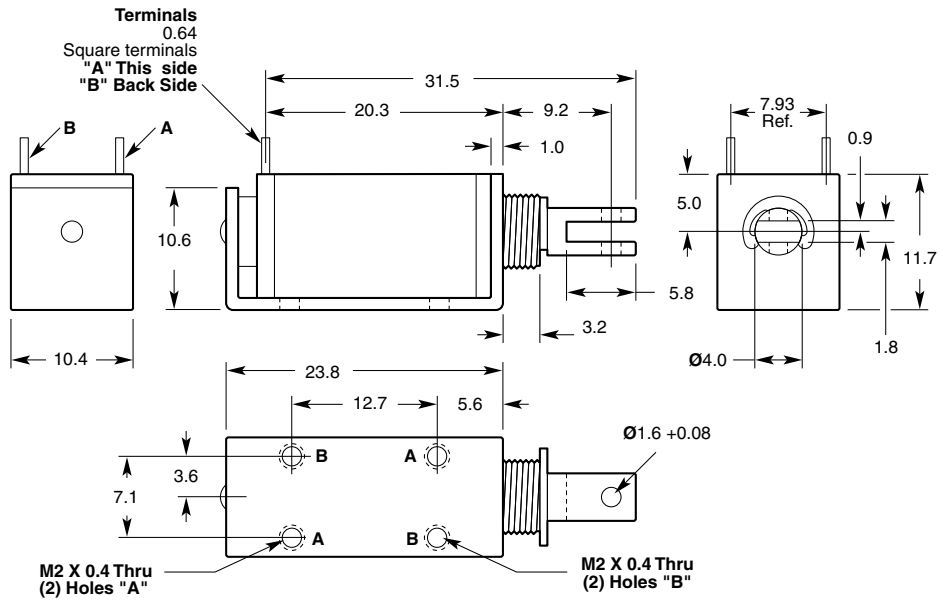
Force values for reference only.

All specifications subject to change without notice.

Ledex® C Frame Dimensions

mm

C5M-L



LINEAR Magnet Latch

All solenoids are illustrated in energised state

All specifications subject to change without notice.