

LUMOTAST 25 emergency stop pushbutton

1.15.154.016/0301



General information

Colour of lens	opaque red
Colour of collar	yellow
Form of collar	square

Dimensions

Overall height	18.5 mm
Width of collar	25 mm
Length of collar	25 mm
Mounting depth with connector	30.7 mm
Mounting depth with plug-in socket	33.4 mm
Mounting hole	16.2 mm

Electrical characteristics

Contact resistance max.	100 mΩ
Bouncing time max.	10 ms
Rated voltage AC/DC max.	25 V
Rated voltage AC/DC min.	0.02 V
Rated current AC/DC max.	1 A
Rated current AC/DC min.	0.01 mA

Mechanical characteristics

Robustness min.	100 N
Operating force max.	10 N
Operating travel	2.6 mm
Switching travel	2 mm

Mechanical design

Terminals	pin connector 4-pol./ plug-in socket
Mounting	ring nut
Illuminability	no
Contact arrangement	2 NC (forcibly actuated)
Contact function	latching
Contact system	snap-action contact
Contact materials	Au

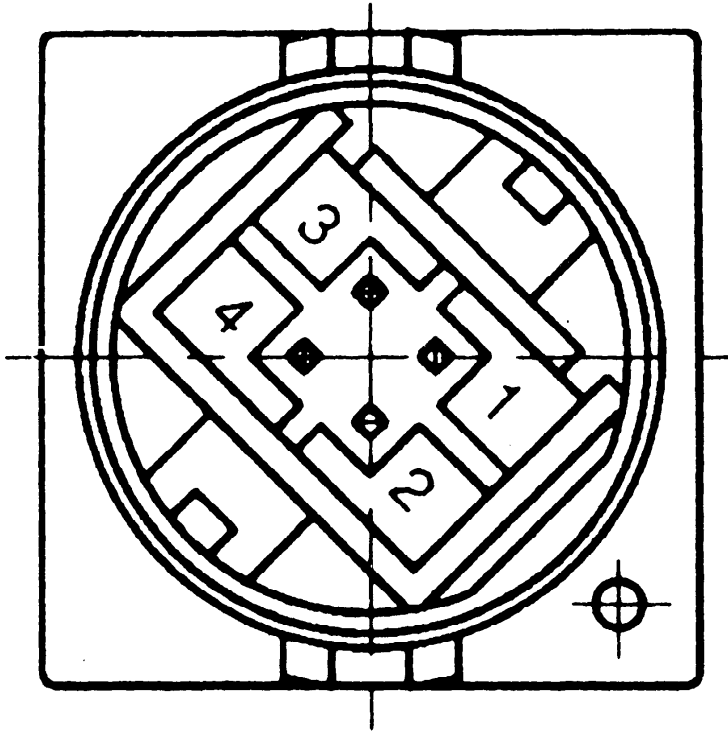
Other specifications

Approvals	T0\#1342V/UL according to EN 60947-5-5 and -5-1/A2, UL 508
Ambient temp. operating max.	+70 °C
Ambient temp. operating min.	-25 °C
Weight	9 g
Resistance to constant environment	according to IEC 600 68-2-3 and 2-30
Storage temperature max.	+80 °C
Storage temperature min.	-40 °C

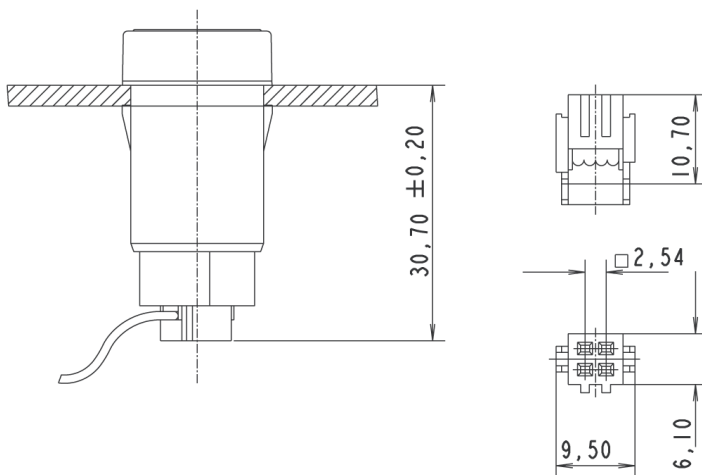
21.05.2008

Operating life	15000
Degree of protection from front side	IP65
Resistance at variable environment	according to IEC 600 68-2-14 and 2-33

Circuit diagram

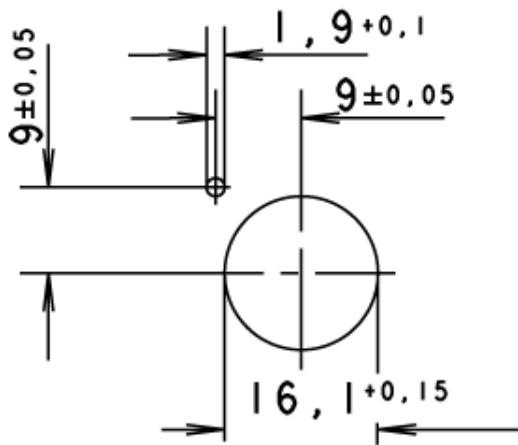


System drawing 1

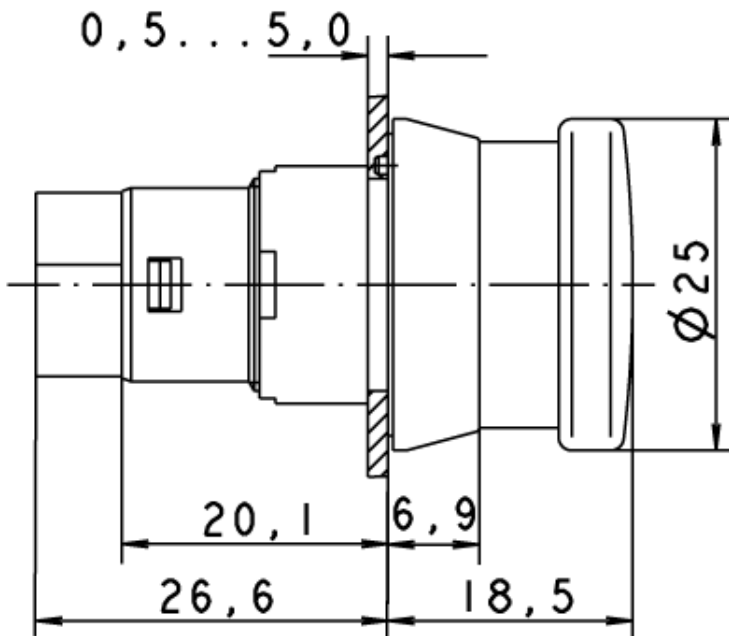


21.05.2008

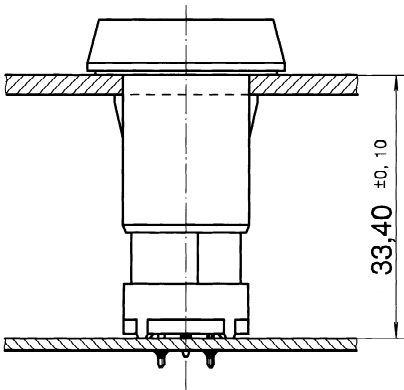
Frontpanel cut-out



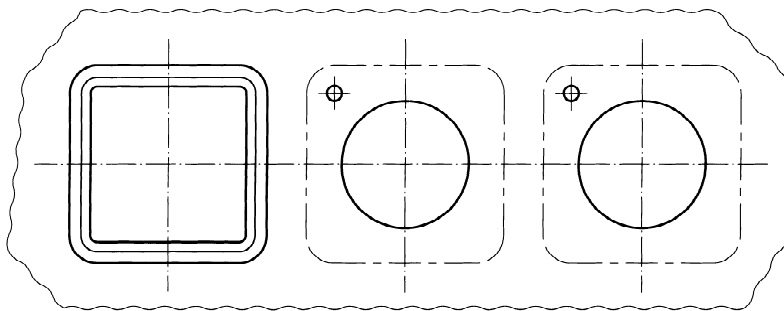
MASS



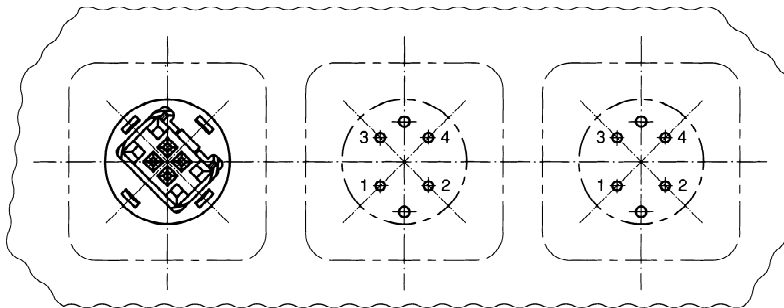
PCB



Draufsicht Frontplatte
M 2:1



Draufsicht Leiterplatte
M 2:1



1+4 Anschluss Taster
2+3 Anschluss Leuchte