

**RAFIX 16 safety emergency stop pushbutton, round collar,
 conical, dupe-proof, non-blocking**
1.30.074.281/0300

Only use universal contact blocks with momentary function.



The positively driven mechanical arrangement is dupe-proof to EN 418.

General information

Actuator	conical mushroom form
Form of collar	round
Colour of mushroom	opaque red, collar yellow

Dimensions

Overall height	29 mm
Width of collar	---
Diameter of collar	25 mm
Length of collar	---
Mounting depth	44.7 mm
Mounting hole	16.2 mm
Key grid	25 x 25 mm

Mechanical characteristics

Robustness min.	100 N
Robustness	acc. IEC 60947-5-5

Mechanical design

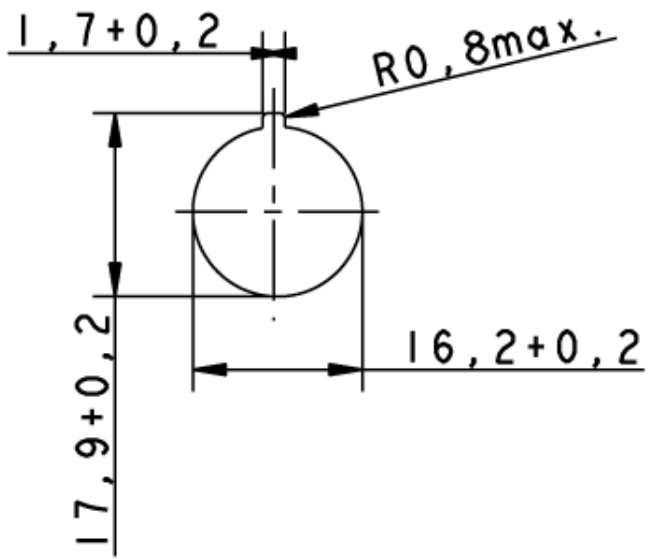
Mounting	ring nut
Illuminability	no
Contact arrangement	according to contact block
Contact function	latching

Other specifications

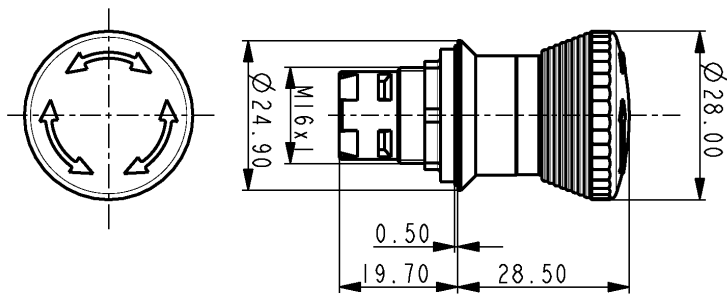
Approvals	IEC 60204, IEC 73
Ambient temp. operating min.	-25 °C
Ambient temp. operating with lamp max.	+55 °C
Ambient temp. operating without lamp max.	+70 °C
Corresponding to CE Ma-Dir. 89/392	yes
Resistance to constant environment	according to IEC 600 68-2-3 and 2-30
Storage temperature max.	+85 °C
Storage temperature min.	-40 °C
Operating life	30000
Degree of protection from front side	IP65
Resistance at variable environment	according to IEC 600 68-2-14 and 2-33

21.05.2008

Frontpanel cut-out



MASS



System drawing 1

