

RAFIX 16 F emergency stop pushbutton, non-blocking, dupe-proof
1.30.094.001/0300

General information

Actuator	conical mushroom form
Form of collar	square
Colour of mushroom	red, collar yellow

Dimensions

Overall height	23.5 mm
Width of collar	24.9 mm
Length of collar	24.9 mm
Mounting depth	51.7 mm
Mounting hole	23.1 x 23.1 mm
Key grid	25 x 25 mm

Mechanical characteristics

Robustness min.	100 N
-----------------	-------

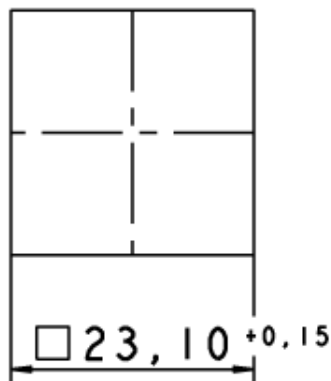
Mechanical design

Mounting	ring nut
Illuminability	no
Contact function	latching

Other specifications

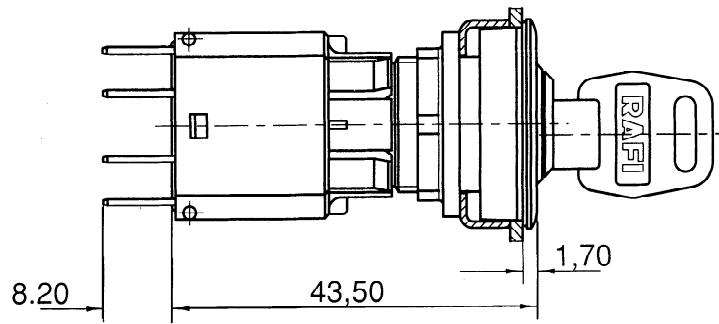
Approvals	IEC 60 947, EN 418
Ambient temp. operating min.	-25 °C
Ambient temp. operating without lamp max.	+70 °C
Resistance to constant environment	according to IEC 600 68-2-3 and 2-30
Storage temperature max.	+85 °C
Storage temperature min.	-40 °C
Operating life	10000
Degree of protection from front side	IP65
Resistance at variable environment	according to IEC 600 68-2-14 and 2-33

Frontpanel cut-out

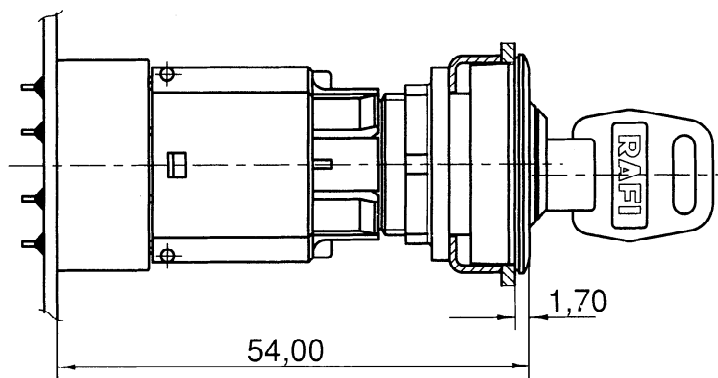


21.05.2008

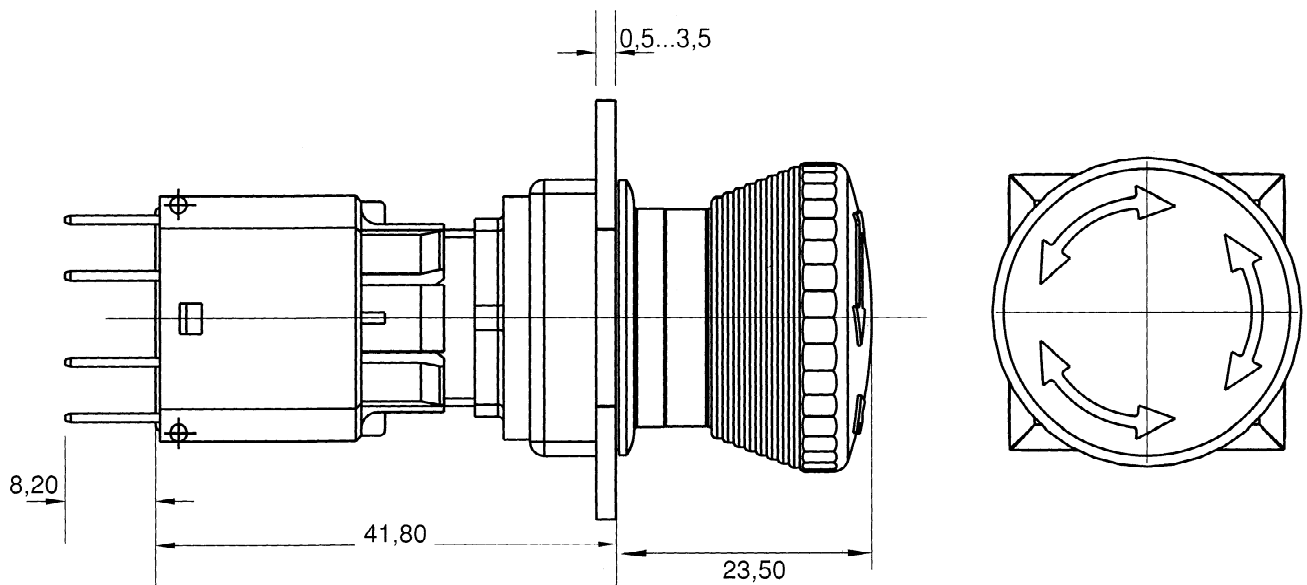
Else



PCB



MASS



21.05.2008

System drawing 1

