

**RAFIX 22 FS emergency stop pushbutton, non-illuminated,
 dupe-proof to EN 418, non-blocking
 1.30.253.501/0300**

General information

Colour of lens	red
Form of lens	conical mushroom form
Form of collar	round

Dimensions

Overall height	---
Diameter of collar	---
Mounting depth	---
Mounting hole	---
Mushroom Diameter	30 mm
Key grid	30 x 30 mm

Mechanical characteristics

Robustness min.	100 N
-----------------	-------

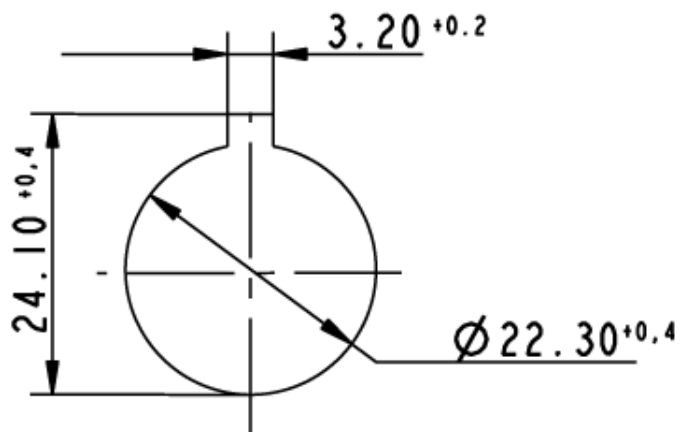
Mechanical design

Mounting	ring nut
Illuminability	no
Reset	by clockwise rotation
Contact function	latching

Other specifications

Approvals acc. to IEC	60947-5-x, 60204, 60073, 601058
Approvals, other	pendin: UL 508, CSA, cURus (UL + CSA)
Ambient temp. operating max.	+70 °C
Ambient temp. operating min.	-25 °C
Resistance to constant environment	IEC 600 68-2-3 and 2-30
Storage temperature max.	+80 °C
Storage temperature min.	-40 °C
Operating life	50000
Robustness	gemäß IEC 600 68-2-3 und 2-30
Salt spray	IEC 600 68-2-11
Degree of protection from front side	IP65
Resistance at variable environment	IEC 600 68-2-14 and 2-33

Frontpanel cut-out



MASS

