

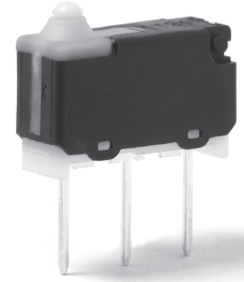
# F6

## Snap-action Microswitches

Ultraminiature

### F6

Characteristics	<ul style="list-style-type: none"><li>■ Small size</li><li>■ Sealed construction (IP67)</li><li>■ PCB mounting</li></ul>
Rating	12–30 VDC, 5–300 mA
Dimensions (mm)	14.65 × 9 × 5.35
Actuator	Plunger, plain lever, simulated roller lever
Approvals	None



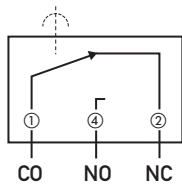
### Preferred Range

Ordering Reference	Actuating Force (N)	Sealing	Operating pos. (mm)	Terminal	Circuit	Actuator	Contacts	Electrical rating
F6T85	1,6	IP6K7	10,8 ± 0,2	PCB	CO	Plunger	Gold plated	30 VDC, 300 mA

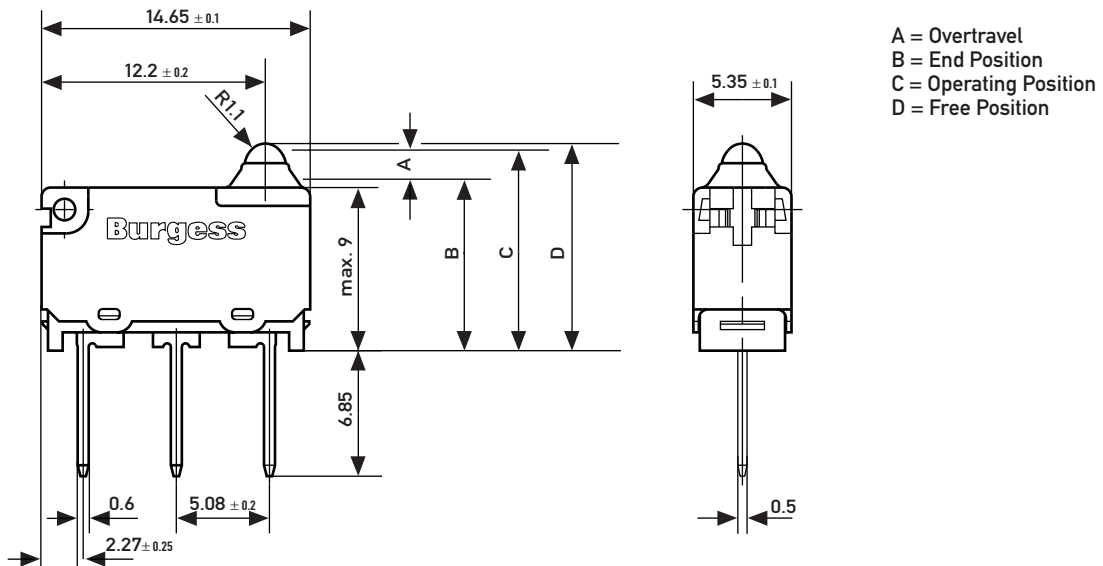
### Specifications

Base	PBT
Lid	PP GF30
Plunger	POM
Mechanism	Leaf spring
Contacts	Fine silver / gold plated
Terminals	CuZn silver plated
Temperature range °C	-40°C up to +90°C
Mechanical life	Up to 1 mio. cycles
Protection	IP67
Actuators	Ice break levers
Cowl	TPE

Circuit diagram



Dimensions

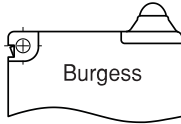


### Recommended maximum electrical ratings

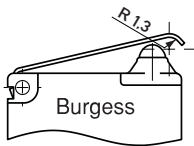
	Voltage (VDC)	Resistive load (A)	Cycles
F6	12 to 30	0.005 – 0.3	500.000

### Operating Characteristics

Actuator	Reference	Actuating Force Maximum (N)	Release Force Minimum (N)	Free Position Maximum (mm)	Operating Position (mm)	Movement Differential Maximum (mm)	Total travelled positions Maximum (mm)
Plunger	F6T85	1,6	0,2	11,35	10,8 ± 0,2	0,3	9,5



Actuator	Reference	Actuating Force Maximum (N)	Release Force Minimum (N)	Free Position Maximum (mm)	Operating Position (mm)	Movement Differential Maximum (mm)
H-Lever	F6T85H	2,5	0,5	12,9	11,3 + 0,35	0,45



For positions and forces of this actuator please contact Saia Burgess

Width of lever 3.0 mm/0.12 in

Datum for free position and operating position is button edge of base (stand-off's).  
The case should not be used as an end stop.

### Ordering Reference

F6

Terminals	No symbol	Pre-wired 500 mm with cable box
T8	PCB	0,6 × 0,5 × 4,0 long
T81	Bent PCB	side B
T82	Bent PCB	side A
T84	Short PCB	0,6 × 0,5 × 2,0 long
T85	Long PCB	0,6 × 0,5 × 6,85 long
T87	Long PCB	side A, for flexible PCB
T88	Long PCB	side B, for flexible PCB
Circuit	No symbol	Change over
C2	Normally closed	
C4	Normally open	
Actuators	No symbol	Without lever
H	Bending lever 0,3 mm thickness	
Y	Special lever Y-clip-on	
Y1	Plain lever mm	
YC	Cam follower lever	
HC	Bending lever, cam follower	
Contact Material	No symbol	Fine silver
GP	Gold plate on silver (GP)	