

KB5

Positive action Switches

Double break

KB5

- Characteristics
- Positive-action (forced double break) contacts
 - >3 mm contact gap
 - High electrical rating
 - Faston (quick connect) terminals
 - Safety switch

Rating Up to 250 VAC, 20 A

Dimensions (mm) 41 × 19.5 × 15.5

Actuator Plunger, plain lever, roller lever

Approvals UL and CSA



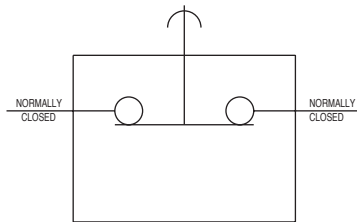
Preferred Range

| Ordering Reference | Actuating Force (N) (ozf) | | Sealing | Operating pos (mm) (in) | | Terminal | Circuit | Actuator | Contacts | Electrical rating |
|--------------------|------------------------------|------|---------|----------------------------|------|----------|---------|--------------|-----------------------------|---------------------|
| KB5FULS | 3.00 | 10.0 | IP40 | 16.8 | 0.66 | Faston | NC | Plunger | Silver/Silver cadmium oxide | Up to 250 VAC, 20 A |
| KB5FKULS | 2.25 | 8.0 | IP40 | 19.2 | 0.76 | Faston | NC | Plain lever | Silver/Silver cadmium oxide | Up to 250 VAC, 20 A |
| KB5FKRULS | 2.25 | 8.0 | IP40 | 31.0 | 1.22 | Faston | NC | Roller lever | Silver/Silver cadmium oxide | Up to 250 VAC, 20 A |

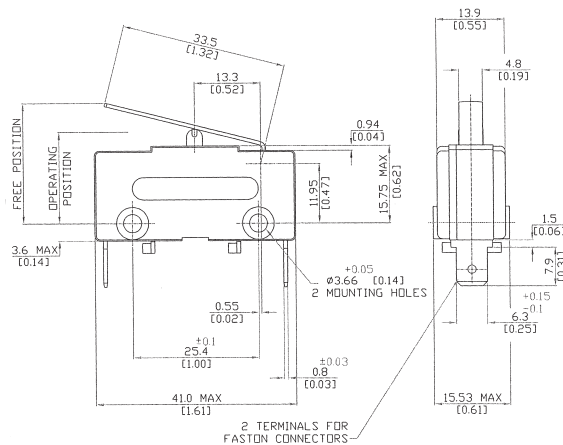
Specifications

| | |
|-------------------|---|
| Housing | Polycarbonate |
| Plunger | Nylon |
| Mechanism | Single pole, double break, positive action |
| Functions | Normally closed |
| Contacts | Fixed – silver, Moving – silver cadmium oxide |
| Terminals | 6.3 mm (0.25 in) faston, brass |
| Temperature range | -40°C to +85°C |
| Mechanical life | 10 ⁷ cycles minimum, impact-free actuation |
| Protection | IP40 |
| Mounting | Side mounting |
| Actuators | Plain lever - stainless steel, roller lever - stainless steel, nylon roller |
| Approvals | UL and CSA |

Circuit diagram



Dimensions


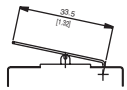
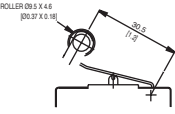


Recommended maximum electrical ratings

| Voltage (max) | Resistive load (A) | Inductive load | Horsepower | Approval |
|---------------|--------------------|----------------|------------|---|
| 250 VAC | 20 (0.75 pf) | - | - | ULS 1054/CSA 22.2 No. 55 - 100,000 operations |
| 250 VAC | - | - | 2 HP | ULS 1054 - Horsepower - 6,000 operations |
| 125 VAC | - | - | 1 HP | ULS 1054 - Horsepower - 6,000 operations |
| 0 - 15 VDC | 15 | - | - | General rating - 50,000 operations |
| 15 - 30 VDC | 10 | - | - | General rating - 50,000 operations |

KB5

Operating Characteristics

| Actuator | Reference | Actuating Force | | Operation Position | | Free Position Maximum | | Contact gap at total travel | | |
|--|-----------|-----------------|-------|--------------------|------|-----------------------|------|-----------------------------|----------|--|
| | | (N) | (ozf) | (mm) | (in) | (mm) | (in) | Minimum (mm) | (in) | |
| Plunger  | KB5FULS | 3,00 | 10,8 | 16,8 | 0,66 | 19,3 | 0,76 | 2 × 3,0 | 2 × 0,12 | |
| ¹ At contact separation of 2 × 1,5 mm | | | | | | | | | | |
| K Lever  | KB5FKULS | 2,25 | 8,0 | 19,2 | 0,76 | 26,0 | 1,02 | 2 × 3,0 | 2 × 0,12 | |
| KR Lever  | KB5FKRULS | 2,25 | 8,0 | 31,0 | 1,22 | 36,5 | 1,40 | 2 × 3,0 | 2 × 0,12 | |

Recommended minimum contact separation 2 × 1,5 mm (2 × .06) indicated when groove in plunger lines up with case. Operating characteristics are specified from mounting holes.

Total travel: Plunger can be depressed flush with housing. The housing should not be used as an end stop.

Ordering Reference

| | | |
|--------------|----------|--------------------------------|
| Type | KB5 | |
| Switch range | KB5F | |
| Actuators | No digit | Plain plunger |
| | K | Plain lever 33.5 mm (1.32 in) |
| | KR | Roller lever 30.5 mm (1.20 in) |
| Approvals | ULS | UL and CSA |