

## LUMOTAST 75 keylock switch IP40, round collar, 1 NC + 1 NO, latching

**1.15.108.851/0000**

Included: 2 keys.



Other lock variants and contacts available on request.

### General information

Form of lens	---
Colour of collar	black
Form of collar	round

### Dimensions

Overall height (without key)	7.5 mm
Width of collar	---
Diameter of collar	18 mm
Length of collar	---
Mounting depth	41.5 mm
Mounting hole	16.2 mm

### Electrical characteristics

Contact resistance acc. to life max.	200 mΩ
ESD-strength min.	14 kV
Bouncing time max.	10 ms
Rated voltage AC max.	250 V
Rated voltage AC/DC min.	12 V
Rated voltage DC max.	220 V
Rated current AC max.	4 A
Rated current AC/DC min.	5 mA
Rated current DC max.	0.02 A

### Mechanical characteristics

Rotating angle	90°
----------------	-----

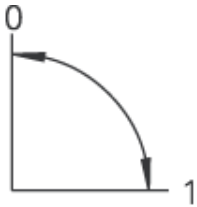
### Mechanical design

Key removal position	0
Terminals	solder terminals
Number of locking positions	45
Mounting	ring nut
Illuminability	no
Main key	no
Contact arrangement	1 NC + 1 NO
Contact function	latching
Contact system	snap-action bridge contact
Contact materials	Ag
Lock type	1D 21
Lock	cylinder lock
Symmetric key	no
Wafers	4 pins

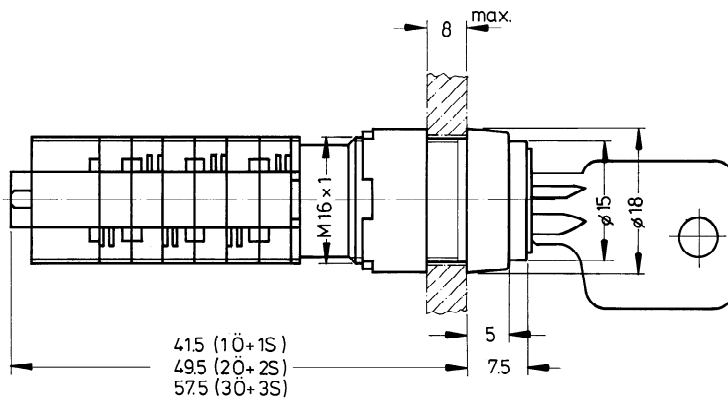
**Other specifications**

Approvals	ENEC 25 T 55 (70), UL, CSA
Ambient temp. operating max.	+70 °C
Ambient temp. operating min.	-25 °C
Flame class acc. to UL 94	V 1
Weight max.	35 g
Hot wire ignition acc. to IEC 60695-2-1	yes
Resistance to constant environment	according to IEC 600 68-2-3 and 2-30
Storage temperature max.	+80 °C
Storage temperature min.	-40 °C
Operating life, at 250 V/2 A (operations)	50000 (momentary)
Operating life, at 250 V/4 A (operations)	50000 (momentary)
Degree of protection from front side	IP40
Resistance at variable environment	according to IEC 600 68-2-14 and 2-33

Schaltw



MASS



Frontpanel cut-out

