

microlinea® - serie L

Miniature precision linear bearings for linear motion

Automation, medical instrumentation, military and defense industry, space industry

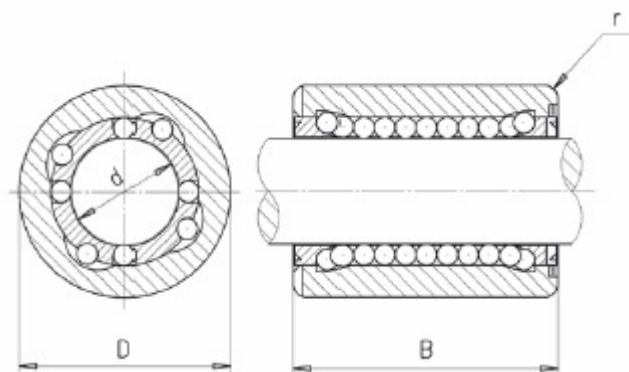
Reference	d [mm]	D [mm]	B [mm]	r min [mm]	Ø balls [mm]	Load ratings	
						static Co [N]	dynamic C [N]
L 204X	2	4	5	0.02	0.500	8	10
L 306X	3	6	7	0.13	0.600	31	30
L 408X	4	8	10	0.24	0.794	66	61
L 510X	5	10	14	0.24	1.250	131	132
L 612X	6	12	18	0.39	1.588	250	245

Housing stainless steel AISI 440C
Cage brass
Shields stainless steel AISI 302 or AISI 303
Balls stainless steel AISI 440C
Lubrication Standard: Winsor Lube L245X
 (other oil on request)
Temperature -40° and +80°C or more
 with the appropriate lubricant

On request, mps can deliver linear bearings only in stainless steel (with stainless cage)

Bearing tolerances
 Bore diameter 0/+8 [µm]
 Outside diameter 0/-8 [µm]

Recommended tolerances for shaft: 0/-6 [µm]
 Max. interference fit of outer ring -1/-3 [µm]



Example of part number definition:

- L 204X-L23ar miniature precision linear bearing
- L 204X-L23ar dimension: first digit bore = 2[mm]
- L 204X-L23ar second 2 digits outer diameter = 4[mm]
- L 204X-L23ar stainless steel material
- L 204X-L23ar lubricant: L = oil; G = grease
- L 204X-L23ar type of lubricant
- L 204X-L23ar rust protection, dipped in oil

