

**RAFIX 22 FS pushbutton, illuminated, flush lens, round collar,  
 metal front ring, momentary**  
**1.30.250.021/1000**


**General information**

Colour of lens	transparent white
Form of lens	flat lens
Form of collar	round
Colour of front ring	metallized

**Dimensions**

Overall height	9.85 mm
Width of collar	---
Diameter of collar	29.8 mm
Length of collar	---
Mounting depth	9.2 mm
Mounting hole	22.3 mm
Key grid	30 x 30 mm

**Mechanical characteristics**

Robustness min.	100 N
Operating travel	4 mm

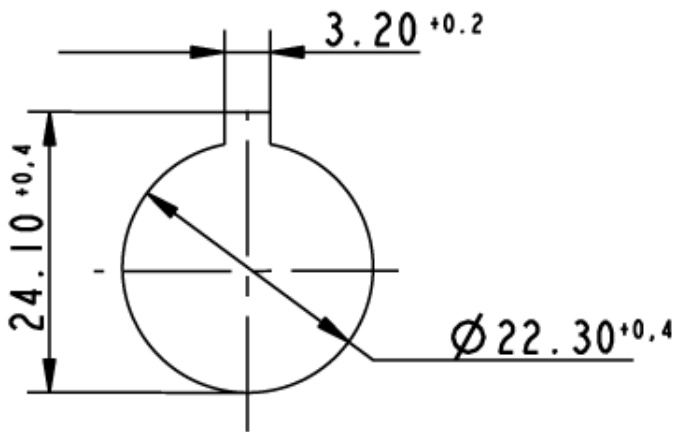
**Mechanical design**

Mounting	ring nut
Illuminability	yes
Contact function	momentary

**Other specifications**

Ambient temp. operating max.	+70 °C
Ambient temp. operating min.	-25 °C
Resistance to constant environment	IEC 600 68-2-3 and 2-30
Storage temperature max.	+80 °C
Storage temperature min.	-40 °C
Operating life	1 million momentary/0.5 million latching
Salt spray	IEC 600 68-2-11
Degree of protection from front side	IP65
Resistance at variable environment	IEC 600 68-2-14 and 2-33

Frontpanel cut-out



MASS

