

U0 Spindle actuator (SP5022ST)

Dimensions (mm) \varnothing 50 x 27

Travel (mm) 68–130

Travel per step (mm) 0,031/0,047/0,063

Thread pitch (mm) 1,5/1,5/1,5

Speed (mm/s) at 200 Hz 6,25/9,37/12,5

Step angle (°) 7,5/11,25/15

Max. Force (N)* 50–70



*Depends on winding, frequency and lifetime required.
Drive against end stops only permissible after clarification of operating conditions and approval by Saia-Burgess.

Standard Data

| | |
|--|--|
| Climatic class | wide-spread according to DIN IEC 60721-2-1 |
| Ambient temperature operation | °C -15 ... +40 |
| Ambient temperature storage | °C -20 ... +105 |
| Thermal resistance at f=0 R _{therm} | K/W 20 |
| Thermal class | A according to DIN EN 60085 |
| Approval | standard |
| Mounting | any position |
| Electrical connection | cable |
| Protection | IP 40 according to DIN EN 60529 |
| Weight | ~220 g |
| Rotor stalling | motor can be stopped when voltage is applied, without being overheated |
| Bearings | ball bearing |
| Electric strength | According to DIN EN 60034-1/DIN EN 60335-1 |

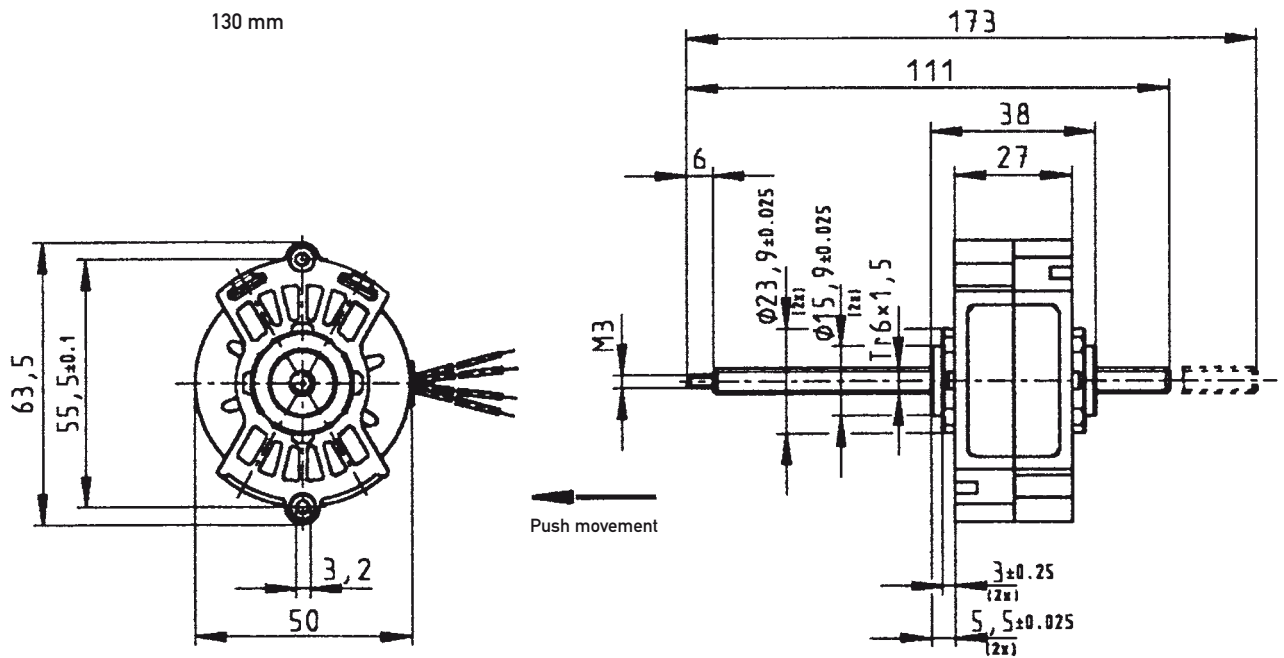
Order Reference

| | | | | | |
|-----------------|----------------------------------|----------|------------|----------|-------|
| Type | Stepper Motor | SP5022ST | 7 Ω | 0,031 mm | 68 mm |
| Resistance | 7 Ω | | | | |
| Travel per step | 0,031 mm 0,047 mm 0,063 mm | | | | |
| Travel | 68 mm 130 mm | | | | |

Technical Data

| | | | | | |
|---------|--|------------|-------------------|-------|-------|
| bipolar | Rated voltage U_N : | V | 4 (Chopper drive) | | |
| | Resistance per winding R_{20} | Ω | 7 | | |
| | Step angle | $^\circ$ | 7.5 | 11.25 | 15 |
| | Travel per step | mm | 0,031 | 0,047 | 0,063 |
| | Steps per mm | | 32 | 21 | 16 |
| | Winding temperature T_{max} | $^\circ C$ | 130 | | |
| | Travel | mm | ~68/+130 | | |
| | Positioning accuacy (incl. axial play) | mm | $\pm 0,15$ | | |
| | Static axial force | N | max. 50 | | |
| | Self-locking by spindle/nut system | | yes | | |
| | Drive | | not stall-proof | | |
| | Anti-rotation guidance of spindle | | external required | | |

Dimensions Version with Travel 68 mm
130 mm



Standard - wire length: 100^{+20} mm/ $6^{\pm 1}$ stripped