

## SAMOTRONIC102

Driver	for bipolar motors
Dimensions (mm)	84 x 54
Supply voltage (VDC)	<ul style="list-style-type: none"> <li>■ standard version 10 DC-24</li> <li>■ enhanced version 10 DC-42</li> </ul>
Motor current	<ul style="list-style-type: none"> <li>■ constant current drive (chopper controlled)</li> <li>■ adjustable via potentiometer</li> </ul>
Step mode	full/half step
Clock source	internal or external
Control inputs to	<ul style="list-style-type: none"> <li>■ inhibit internal clock</li> <li>■ inhibit motor current</li> <li>■ change direction of rotations</li> </ul>
Configuration	via DIP-switch, potentiometer
Test pins	<ul style="list-style-type: none"> <li>■ motor current</li> <li>■ step frequency</li> </ul>



## Preferred Range

### Ordering Reference

4 636 6733 0 10-24VDC supply voltage (standard version)

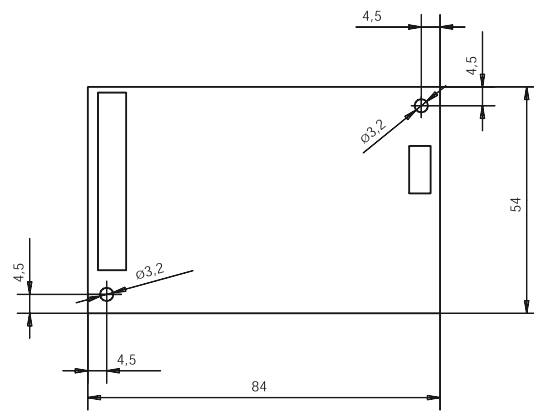
4 636 6733 3 10-42VDC supply voltage (enhanced version)

If motors are also to be ordered please state: "with MTA-100 receptacles for use with SAMOTRONIC102".

## Technical Data

Supply voltage	10-24 (42)VDC
Phase current	71-500 mA, on request max. 735mA/ph
Chopper frequency	typ. 20kHz
Control signal level	LS-TTL (0-5V) for all control inputs
Internal clock	50-1325 Hz
External clock	up to 2 kHz
Dimensions	84 x 54 mm
Operating temperature	-20 to +60 °C
Storage temperature	-20 to +80 °C

### Dimensions



For latest technical and safety compliance information regarding these products, please download the relevant data sheet from our web site:  
[www.saia-burgess.com/drivers](http://www.saia-burgess.com/drivers)