

# UGA

## Gearboxes

### UGA

Dimensions (mm)	55 x 62
Hight (mm)	12
Max. torque (cNm)	32
Ratios	4 1/6 ... 360.000
Internal slipping clutch	optional
Standard shaft (mm)	∅ 4 x 10
Weight (g)	55
Motor combination	Series UB and UD; Series UF without UFR3/4 and UFB3/4



### Standard Data

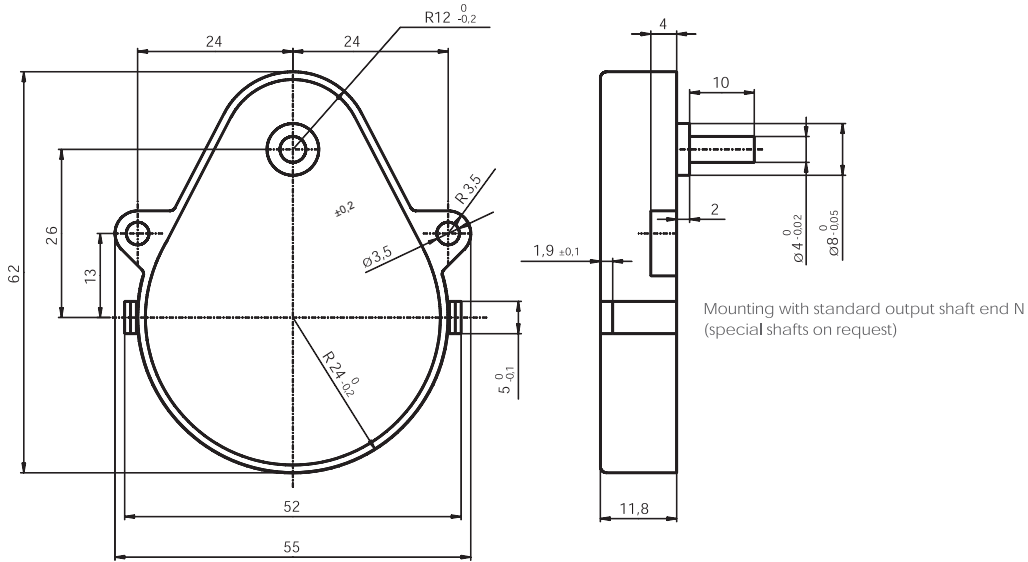
Mounting	any position
Axial thrust F <sub>A</sub>	20 N
Lateral force F <sub>R</sub>	60 N
Slipping clutches/free wheel	single-way clockwise/counter clockwise function and two way
Slipping-/free wheel torque	0.5 ... 40 cNm
Output shafts	∅ 4 x 10, other on request
Climatic class	wide-spread according to DIN IEC 60721-2-1
Ambient temperature operation	-15 ... +55° C
Ambient temperature storage	-40 ... +80° C

Ratios	4 1/6	5	8 1/3	10	12 1/2	15	16 2/3	20 5/6	25	30	31 1/4	33 1/3	37 1/2
	41 2/3	45	50	60	62 1/2	75	83 1/3	100	112 1/2	120	125	135	140 5/8
	150	166 2/3	187 1/2	200	250	277 7/9	300	375	416 2/3	450	500	600	625
	750	900	937 1/2	1000	1125	1200	1250	1500	1800	1875	2250	2500	3000
	3600	3750	4500	5000	5400	7200	7500	9000	11250	12000	12500	15000	18000
	18750	22500	27000	300000	36000	375000	450000	54000	60000	72000	75000	90000	108000
	112500	120000	135000	150000	180000	216000	240000	360000					

### Order Reference

Type	Gearbox	UGA ; 100	N	5cNm	N
Ratio	100				
Slipping clutch	N Without slipping clutch ER One-way slipping clutch, clockwise EL One-way slipping clutch, counter clockwise Z Two-way slipping clutch				
Slipping torque	5 cNm				
Shaft end	N ∅ 4 x 10, other on request				

Dimensions



Slipping clutches

	max. torque available at output shaft (cNm)	free wheel- / clutch torque (cNm)
Roller-type free wheel	32	0,5 ... 1
Single-way slipping clutches	32	2 ... 40 (counter clockwise or clockwise direction possible)
Two-way slipping clutches	1,5 ... 10	2 ... 36

Torque / ratio / life graph

