

UGB

Dimensions (mm)	58 x 81
Hight (mm)	17
Max. torque (cNm)	250
Ratios	41 ^{2/3} ... 345.600
Internal slipping clutch	optional
Standard shaft (mm)	∅ 8 x 12
Weight (g)	130
Motor combination	Series UB and UD; Series UF without UFR3/4 and UFB3/4



Standard Data

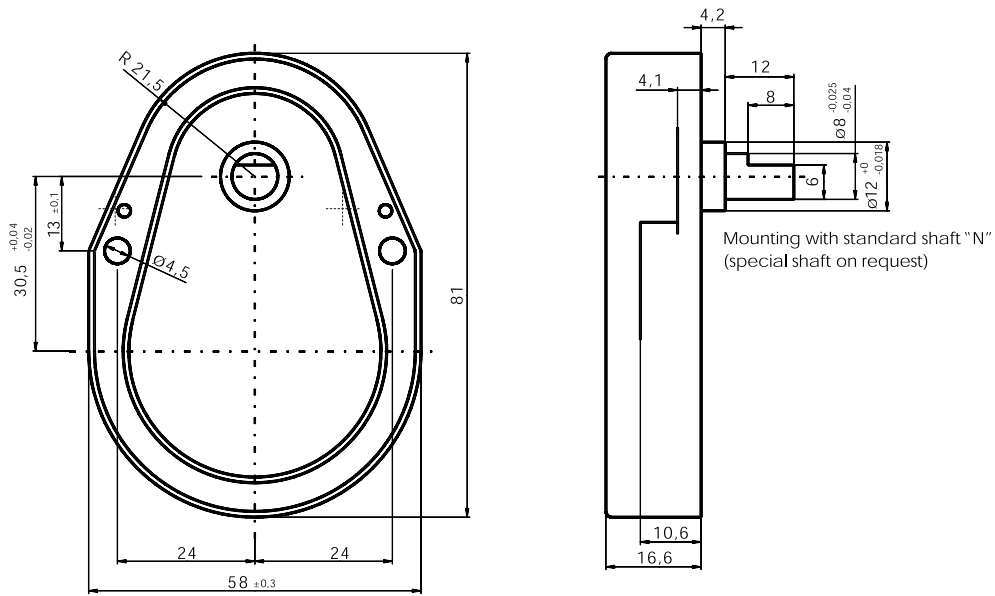
Mounting	any position
Axial thrust F _A	100 N
Lateral force F _R	300 N
Slipping clutches/free wheel	single-way clockwise/counter clockwise function and two way
Slipping-/free wheel torque	4 ... 175 cNm
Output shafts	∅ 8 x 12, other on request
Climatic class	wide-spread according to DIN IEC 60721-2-1
Ambient temperature operation	°C -15 ... +55
Ambient temperature storage	°C -40 ... +80

Ratios	41 ^{2/3}	83 ^{1/3}	100	125	150	166 ^{2/3}	200	250	300	500	600	750	900
	1000	1200	1500	1800	2000	2500	3000	3750	5000	6000	7500	12000	15000
	18000	30000	36000	60000	120000	266666 ^{2/3}	288000	320000	345600				

Order Reference

Type	Gearbox	UGB	100	N	5cNm	N
Ratio	100					
Slipping clutch	N Without slipping clutch ER One-way slipping clutch, clockwise EL One-way slipping clutch, counter clockwise Z Two-way slipping clutch					
Slipping torque	5 cNm					
Shaft end	N ∅ 8 x 12, other on request					

Dimensions



Slipping clutches

	max. torque available at output shaft (cNm)	free wheel-/clutch torque (cNm)
Roller-type free wheel		
Single-way slipping clutches	150	4 ... 50 counter clockwise or clockwise direction possible
Two-way slipping clutches	40 ... 70	60 ... 175

Torque / ratio / life graph

