

UGF

Dimensions (mm)	58 x 81
Hight (mm)	17
Max. torque (cNm)	500
Ratios	4 ^{1/8} ... 5000
Internal slipping clutch	none
Standard shaft (mm)	∅ 8 x 12
Weight (g)	130
Motor combination	Series UB, UD, UF



Standard Data

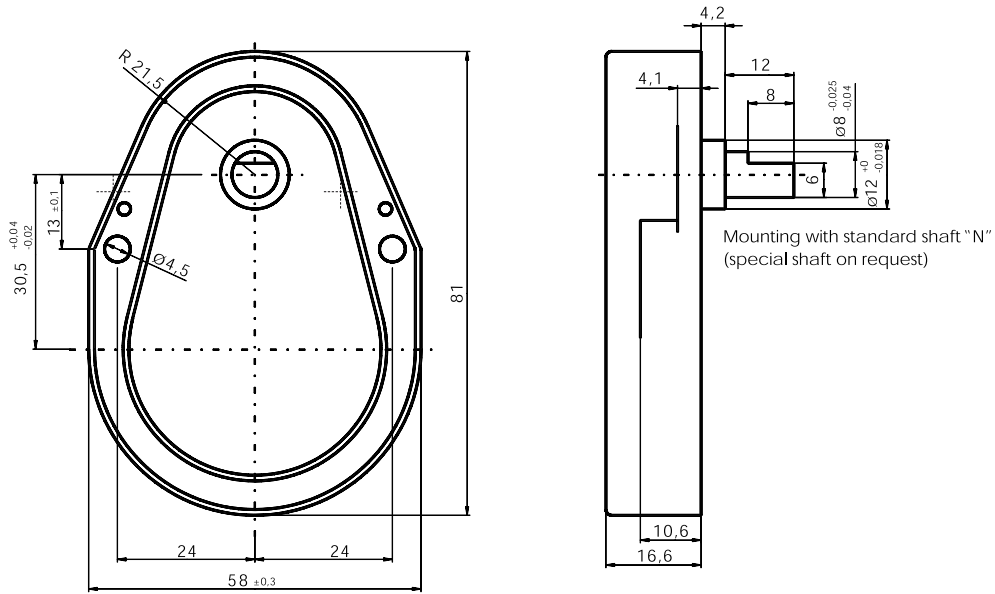
Mounting	any position
Axial thrust F _A	100 N
Lateral force F _R	400 N
Slipping clutches/free wheel	none
Slipping-/free wheel torque	cNm
Output shafts	∅ 8 x 12, other on request
Climatic class	wide-spread according to DIN IEC 60721-2-1
Ambient temperature operation	°C -15 ... +55
Ambient temperature storage	°C -40 ... +80

Ratios	4 ^{1/8}	8 ^{1/8}	16 ^{2/8}	20 ^{5/8}	25	30	41 ^{2/8}	50	62 ^{1/2}	83 ^{1/8}	100	125	166 ^{2/8}
	250	333 ^{1/8}	500	600	750	1000	1200	1500	4000	5000			

Order Reference

Type	Gearbox	UGF	100	N	N
Ratio	100				
Slipping clutch	N	Without slipping clutch			
Shaft end	N	∅ 8 x 12, other on request			

Dimensions



Torque / ratio / life graph

