

UGO/UGP

UGO/UGP (STG60/61)

Dimensions (mm)	65 x 65/68 x 68
Hight (mm)	29,8–38
Max. torque (cNm)	600
Ratios	6 1/4 ... 5400
Internal slipping clutch	none
Standard shaft (mm)	∅ 8 x 22
Weight (g)	230–330
Motor combination	5021–, 5022–, 5032RG–, 6443–, 6444– series U0, UP and UF



UGO (STG 60)



UGP (STG 61)

Standard Data

Mounting	any position
Max. input speed*	3000 min ⁻¹
Max. output torque*	600 cNm
Max. input -and output power	please refer to table in Technical Data
Average back lash	unloaded 1,5 degree 2–4 stages with 6 Nm 3 degree 5–6 stages with 6 Nm 4 degree
Max. axial force F _A	30 N
Max. lateral force F _R , 12 mm from lange	80 N
Max. axial play	0,3 mm
Max. radial play	20 μm
Working temperature	0 ... +50 °C
Ambient temperature storage	–40 ... +100 °C

Ratio	6 1/4	12 1/2	18 3/4	37 1/2	46 7/8	62 1/2	93 3/4	125	150	187 1/2	375	750
	1500	2000	3750	5400								

* Depends on ratio. see next page

Order Reference

Type	Gearbox	STG60 UGO	6 1/4	1	1
Ratio	6 1/4				
shaft end	1	see next pages	drawings	Dimension	shaft end types
	2				
	3				
	4				
fixing	1	through holes			
	2	threaded holes (only STG61)			
optional	motor pinion:	see next pages	Motor Pinion Data		
	adaptor plate:	see next pages	for adaptor plate		

Technical Data

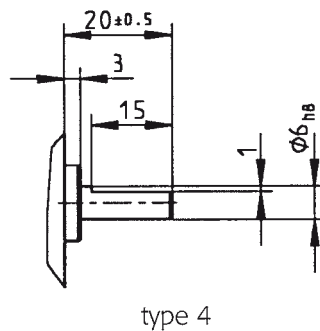
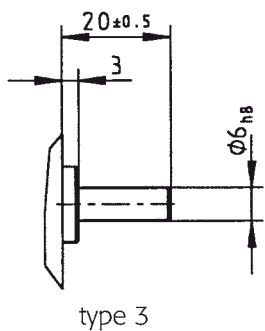
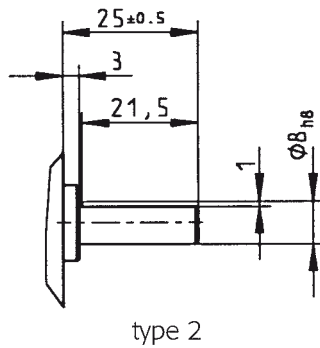
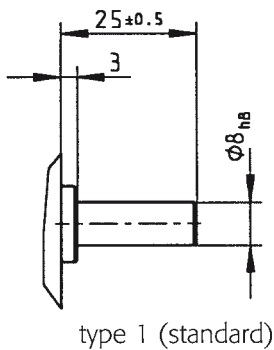
Ratio	Stages *	η	pinion type	Weight	Max. torque (Nm)	Max. input speed (rpm)
6 1/4	2	0.77	1	190	1.0	750
12 1/2	3	0.68	2	220	1.8	750
18 3/4	3	0.68	3	220	2.7	750
37 1/2	3	0.68	4	220	5.4	750
46 7/8	4	0.60	3	250	6	750
62 1/2	4	0.60	2	250	6	1000
93 3/4	4	0.60	3	250	6	1500
125	4	0.60	2	250	6	2000
150	4	0.60	3	250	6	2400
187 1/2	4	0.60	4	250	6	3000
375	5	0.53	3	280	6	3000
750	5	0.53	4	280	6	3000
1500	6	0.46	4	310	6	3000
2000	6	0.46	4	310	6	3000
3750	6	0.46	4	310	6	3000
5400	6	0.46	5	310	6	3000

Technical Data valid for a working temperature 0 °C ... +50 °C

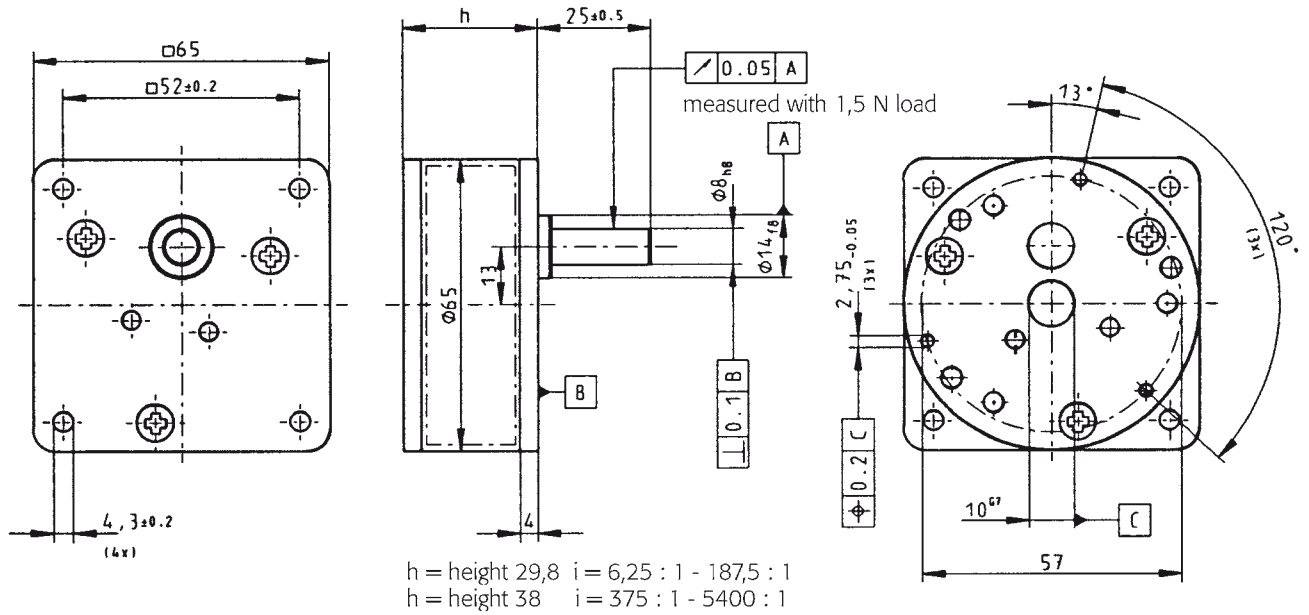
* Direction of rotation of output- and motor-shaft at

2,4 and 6 stages - same
3 and 5 stages - opposite

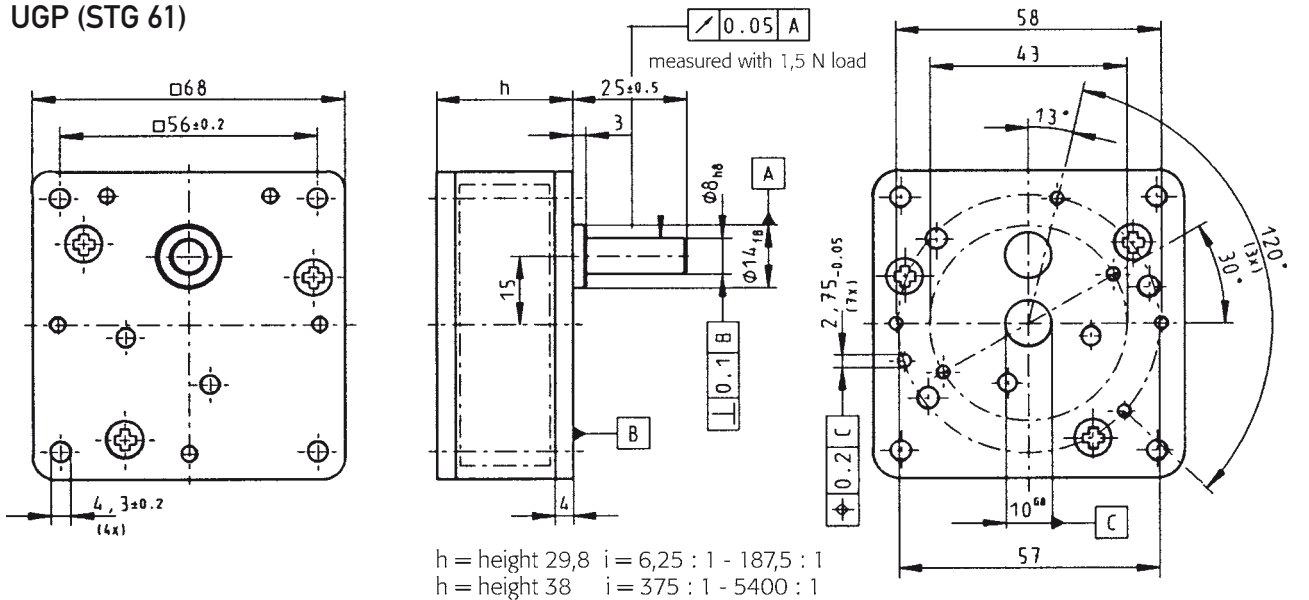
Dimensions shaft end types UGO/P (STG 60/61)



Dimensions UGO (STG 60)



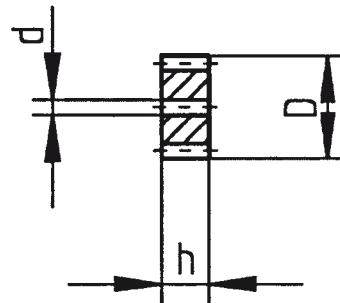
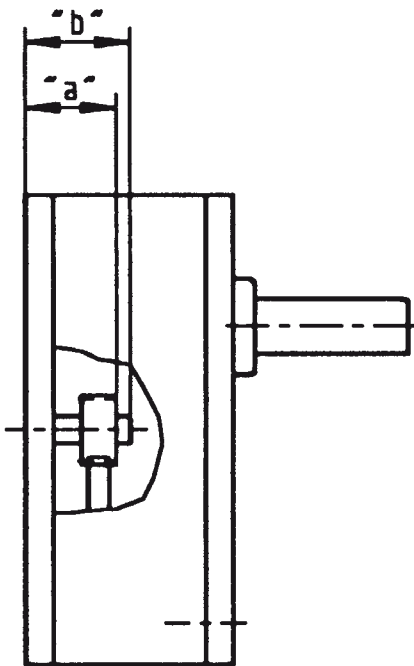
UGP (STG 61)



For fixing version 2 (threaded holes, see page before):
 4 holes $d=4,3$ are threaded holes M4
 (only for UGP possible)

Motor Pinion Data UGO/P (STG 60/61)

pinion type	d	h	D	module	no. of teeth	Order Reference
1	2.5 ⁵⁷	6	9.81	0.38	24	022-100-004-010
	3.0 ⁵⁷	6	9.81	0.38	24	022-100-004-020
	4.0 ⁵⁷	6	9.81	0.38	24	022-100-004-030
	5.0 ⁵⁷	6	9.81	0.38	24	022-100-004-040
2	2.5 ⁵⁷	4.5	9.81	0.38	24	022-100-004-070
	3.0 ⁵⁷	4.5	9.81	0.38	24	022-100-004-080
	4.0 ⁵⁷	4.5	9.81	0.38	24	022-100-004-090
	5.0 ⁵⁷	4.5	9.81	0.38	24	022-100-004-110
3	2.5 ⁵⁷	4.5	9.32	0.5	16	022-100-004-270
	3.0 ⁵⁷	4.5	9.32	0.5	16	022-100-004-280
	4.0 ⁵⁷	4.5	9.32	0.5	16	022-100-004-290
	5.0 ⁵⁷	4.5	9.32	0.5	16	022-100-004-310
4	2.5 ⁵⁷	4.5	8.23	0.42	16	022-100-004-580
	3.0 ⁵⁷	4.5	8.23	0.42	16	022-100-004-590
	4.0 ⁵⁷	4.5	8.23	0.42	16	022-100-004-600
	5.0 ⁵⁷	4.5	8.23	0.42	16	022-100-004-610
5	2.0 ⁵⁷	4.5	6.34	0.42	12	022-100-004-730
	2.5 ⁵⁷	4.5	6.34	0.42	12	022-100-005-150
	3.0 ⁵⁷	4.5	6.34	0.42	12	022-100-004-740



pinion position	Dimension	„a“	„b“
2 gear stages		8.9 _{-0.2}	9.6 _{-0.7}
3–6 gear stages		7.6 _{-0.2}	7.6 _{-0.2}