

UGR (STG 200)

Dimensions (mm)	70 x 130
Hight (mm)	38
Max. torque (cNm)	2000
Ratios	6 1/4 ... 375
Internal slipping clutch	none
Standard shaft (mm)	∅ 12 x 35
Weight (g)	depends on ratio
Motor combination	5021–, 5022–, 5032 RG–, 6443–, 6444– series UO and UP



Standard Data

Mounting	any position								
Max. input speed *	3000 min ⁻¹								
Max. output torque *	2000 cNm								
Max. input -and output power *	please refer to table in Technical Data								
Average back lash	unload	0,75°							
	2/3 stages with 4/10 Nm	1,25°							
	4/5 stages with 15/20 Nm	2°							
Max. axial force F _A	60 N								
Max. lateral force F _R , 20 mm from lange	80 N								
Max. axial play	0,3 mm								
Max. radial play	83 μm								
Working temperature	10 ... +50 °C								
Ambient temperature storage	–40 ... +100 °C								
Ratio	6 1/4	12 1/2	25	37 1/2	62 1/2	75	93 3/4	125	375

* Depends on ratio, see next page

Order Reference

Type	Gearbox								STG 200 UGR	6 1/4
Ratio	6 1/4									
optional	motor pinion: see next pages Motor Pinion Data									

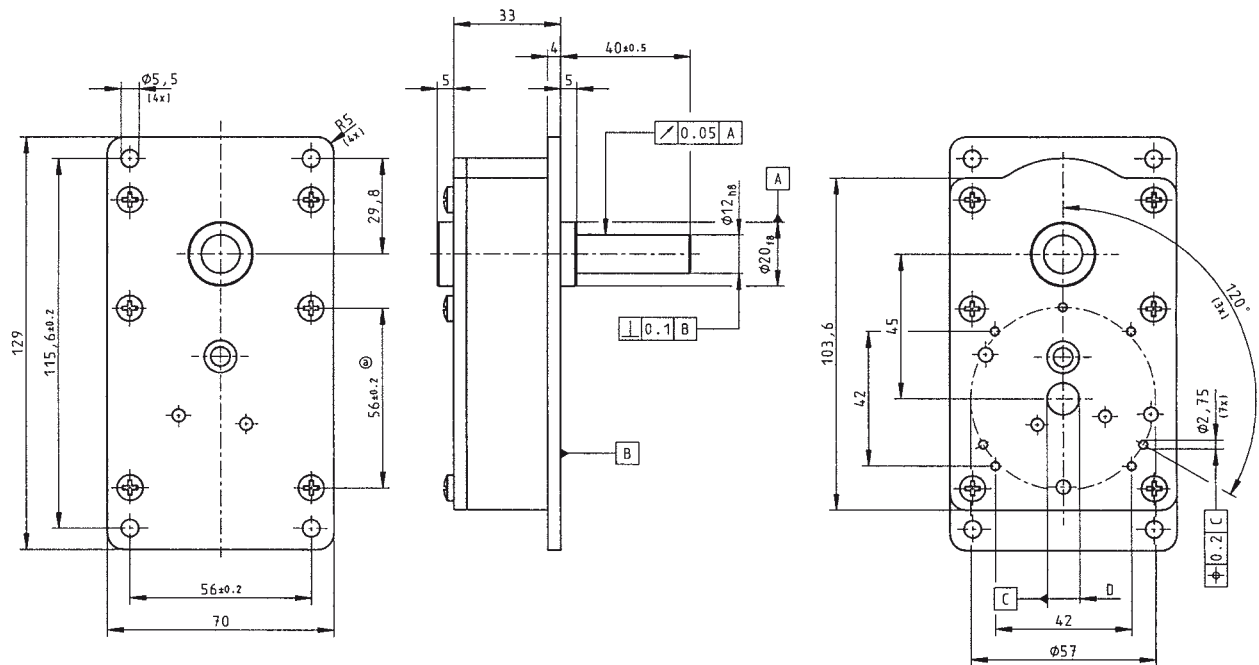
Technical Data

Ratio	Stages *	η	pinion type	Weight	Max. torque (Nm)	Max. input speed (rpm)
6 ¹ / ₄	2	0.77	1	560	1.8	750
12 ¹ / ₂	2	0.77	2	560	3.6	750
25	3	0.68	3	580	6.6	750
37 ¹ / ₂	3	0.68	4	580	9.9	750
62 ¹ / ₂	4	0.60	5	600	14.6	750
75	4	0.60	6	600	17.5	750
93 ³ / ₄	4	0.60	6	600	20	820
125	4	0.60	6	600	20	1100
375	5	0.53	4	620	20	3000

Technical Data valid for a working temperature 0 °C ... +50 °C

* Direction of rotation of output- and motor-shaft at
 2 and 4 stages - same
 3 and 5 stages - opposite

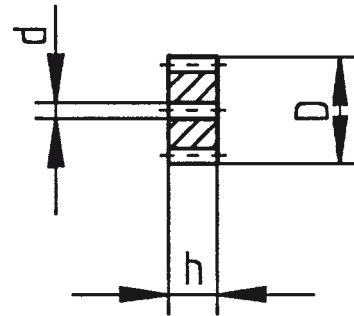
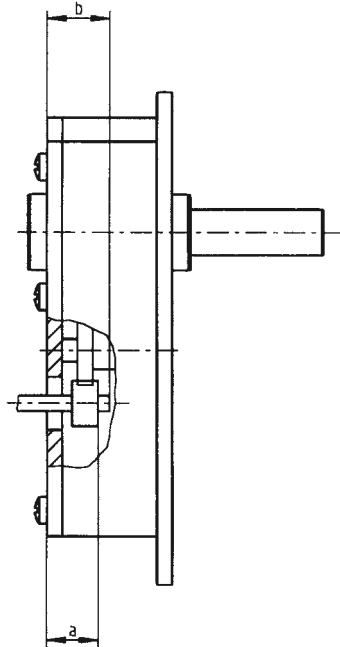
Dimensions



Diameter D = 14^{h8} for ratio $i \leq 25$
 10^{h8} for ratio $i > 25$

Motor Pinion Data

pinion type	d	h	D	module	no. of teeth	Order Reference
1	4,0 ^{X7}	11,5	12,65	0,56	20	022-100-020-100
	5,0 ^{S7}	11,5	12,65	0,56	20	022-100-020-110
2	4,0 ^{X7}	11,5	9,11	0,53	14	022-100-020-130
	5,0 ^{S7}	11,5	9,11	0,53	14	022-100-020-140
3	3,0 ^{S7}	6,8	12,02	0,57	18	022-100-020-200
	4,0 ^{X7}	6,8	12,02	0,57	18	022-100-020-210
	5,0 ^{S7}	6,8	12,02	0,57	18	022-100-020-220
4	3,0 ^{S7}	6,8	9,32	0,5	16	022-100-020-280
	4,0 ^{X7}	6,8	9,32	0,5	16	022-100-020-290
	5,0 ^{S7}	6,8	9,32	0,5	16	022-100-020-300
5	3,0 ^{S7}	11,5	9,82	0,38	24	022-100-020-360
	4,0 ^{X7}	11,5	9,82	0,38	24	022-100-020-370
	5,0 ^{S7}	11,5	9,82	0,38	24	022-100-020-380
6	3,0 ^{S7}	11,5	9,32	0,5	16	022-100-020-400
	4,0 ^{X7}	11,5	9,32	0,5	16	022-100-020-410
	5,0 ^{S7}	6,8	9,32	0,5	16	022-100-020-300



pinion position	Dimension	„a“	„b“ max.	„b“ min.
2 gear stages		16.1 ^{-0.2}	28	10
3 gear stages		10.3 ^{-0.2}	10,3	8,1
4 gear stages		15.1 ^{-0.2}	15	8,1 (13,5 bei Ø 5)
5 gear stages		10.9 ^{-0.2}	11	8,1