

## URT

Dimensions (mm)	∅ 13 x 11
Voltage (V)	3–24
Speed (rpm) 50 Hz	600
Pole number	10
Running torque * (mNm) 50 Hz/60 Hz	0,6
Power output (W) 50 Hz/60 Hz	0.038
Gear combination	—

\* standard magnet



## Standard Data

Climatic class	„wide-spread“ according to DIN IEC 60721-2-1
Ambient temperature operation	°C -15 ... +60
Ambient temperature storage	°C -20 ... +100
Thermal resistance at f=0 R <sub>therm</sub>	83 K/W
Thermal class	B according to DIN EN 60085
Approval	standard
Mounting	any position
Electrical connection	Pin, optional flex print
Protection	IP 40 according to DIN EN 60529
Weight	7 g
Rotor stalling	motor can be stopped when voltage is applied, without being overheated
Bearings	integrated high temperature plastic bearing

## Order Reference

Type	Synchronous Motor	URT	1E	N	24 V / 50 Hz	R	N
Configuration	1E standard magnet						
Approval	N						
Voltage/Frequency	See next page						
Direction	R reversible						
Connector	N Pin C flex print						

This motor type doesn't fulfil basis insulation requirements of EN 60335-1: 2004  
Customer application must realize a suitable protection class.

## Technical Data

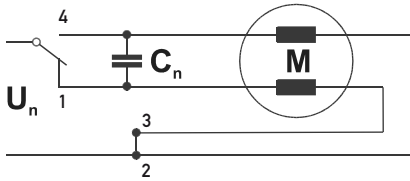
## URT1

Rated frequency	Hz	50
Speed n	rpm	600
Running torque $M_n^*$	mNm	0.6
Detent torque $M_s^*$	mNm	0.3
Power output	W	0.038
Power consumption	VA	0.75
Rotor inertia $J_R$	$gcm^2$	0.033
Tolerance of voltage		standard power supply system +10%/-10%
Duty cycle		100%
Winding temperature $T_{max}$	$^{\circ}C$	130
Direction of rotation		reversible

Capacitors	Rated voltage $U_N$	V	24
	Operating capacitor $C_{50}$	$\mu F/40 VAC$	2.2

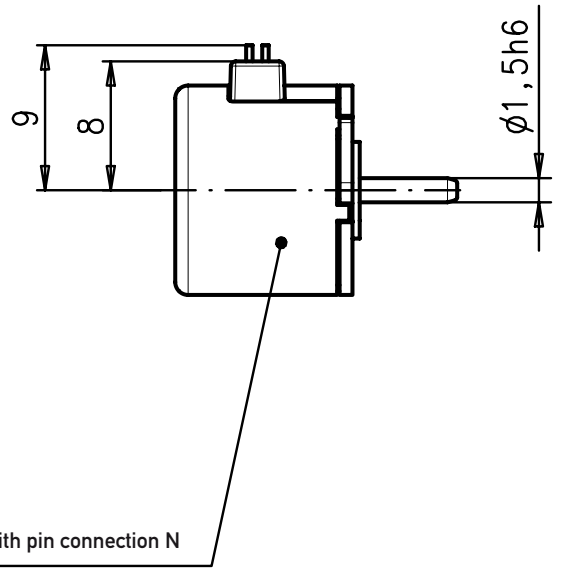
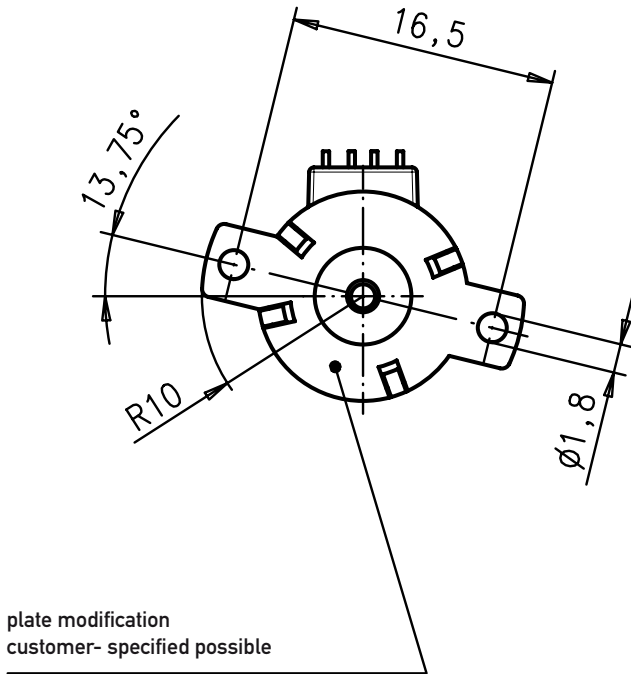
\* standard magnet

Circuit diagram Parallel circuit

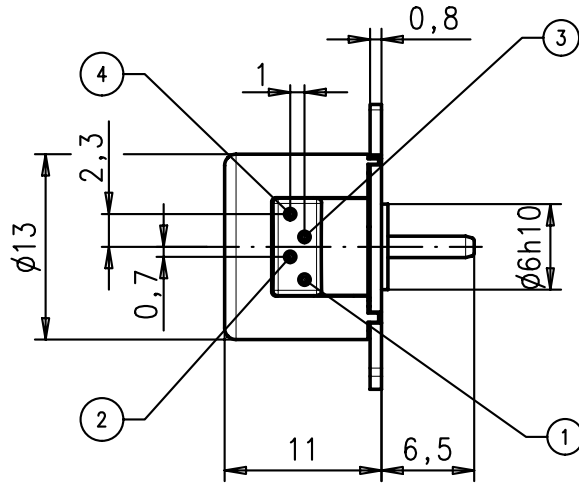


switch to  
1 = clockwise rotation  
4 = counter clockwise rotation

Dimensions



Dimensions



recommended FPC layout for  
flex print connector 1 mm

version with flex print circuit C

