

... accompanies you
on the way
to the top



cegard/Mini

reliable and economic
door protection



CSA B44.1 / ASME A17.5



ISO 9001: 2000

EN 81-70

Description

CEDES' cegard/Mini protects automatic doors by combining the best features of our cegard/Max and our MiniMax into one low-cost light curtain. The cegard/Mini is perfectly suited for markets where static mounting and reduced protection ranges are desired.

Its sturdy construction, as well as its high resistance against EMV disturbances and external light, makes cegard/mini one of the most robust and reliable light curtains on the market. Thanks to its compact size and integrated controller, the cegard/Mini will fit into even the tightest spaces.

The flexible semiconductor output allows simple selection of the output logic. The built-in LED display provides power output status and basic trouble-shooting information.

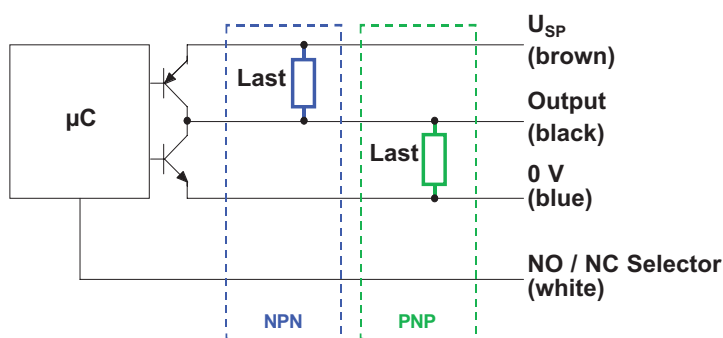
With a range up to four meters, even large elevator doors can be reliably protected.

Features

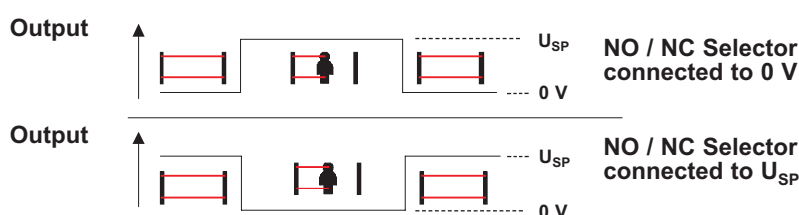
- very robust and reliable due to proven technology
- Integrated controller
- short-circuit safe semiconductor output (NPN / PNP)
- Plug and Play connection cables
- Dense protection field
- Ideal for new installations
- Reversible protection field 1,592 mm or 1,822 mm
- Flexible cable for 20 million door movements
- Compatible with cegard/Max and MiniMax

Block circuit diagram

PNP / NPN Output



The logic of the output is selectable



Technical Data

Supply voltage U_{SP}	14 ... 30 VDC
Ripple	10 % of U_{SP}
Power input	Typ. 60 mA
Input capacity	500 nF
Output	U_{SP} , GND
	120 mA, Push Pull
	100 nF
	NO / NC switchable
Response time	60 ms (16 elements)
Circuit commut. recovery time	< 200 ms
Power-up time	< 500 ms
Operating range	0 ... 4 m
Protection height	1582 or 1822 mm
Dimensions	12 x 16 x 2000 mm
Number of Opto Elements	8 ... 32
Distance between elements	120 mm (16 elem.)
Number of beams	max. 154
Wavelength IR	925 nm
Max. ambient light	> 75'000 lux
Enclosure rating	IP65
Connecting cable	5 m each
Temperature range	-20°C ... +65°C -5°F ... +150°F
Fire protection classification	UL94 V-0
Cable durability	IEC 60227.2
Shock	IEC 60068-2-6
Vibration	IEC 60068-2-29
EMC-Emission	EN 12015
EMC-Immunity	EN 12016

